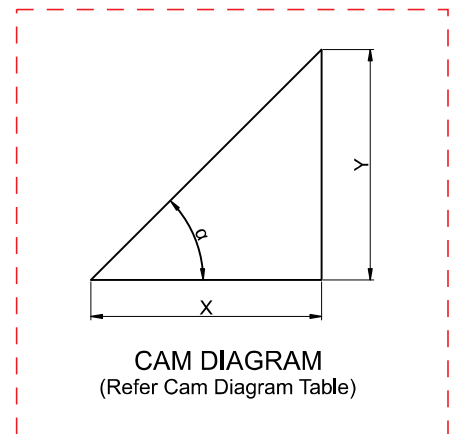
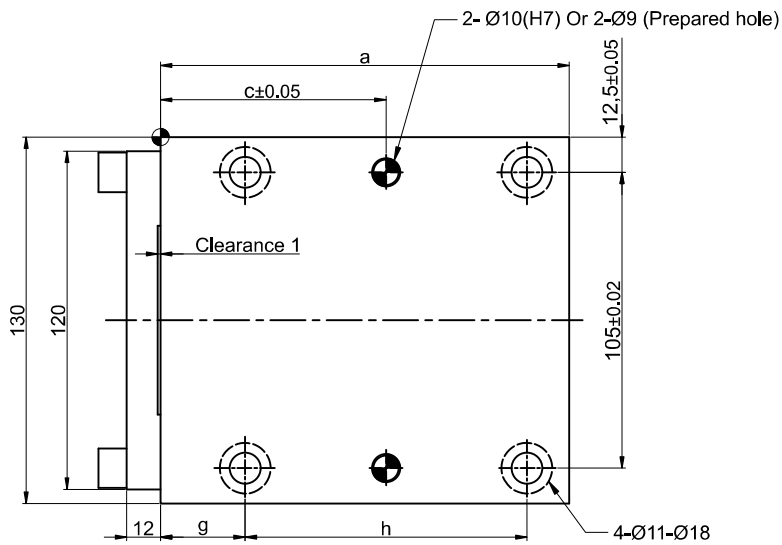
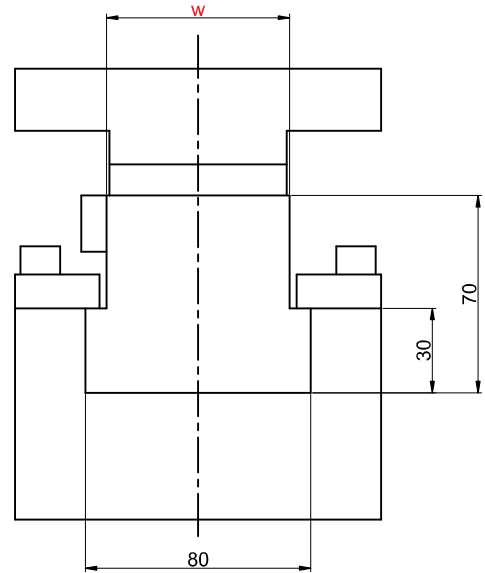
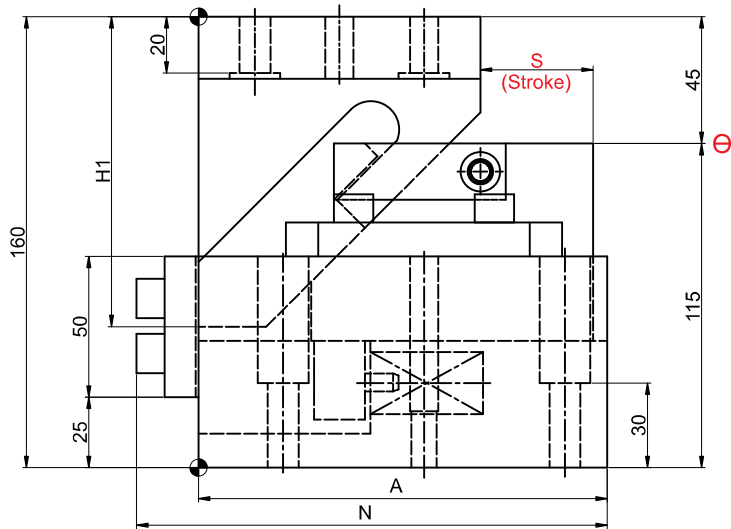
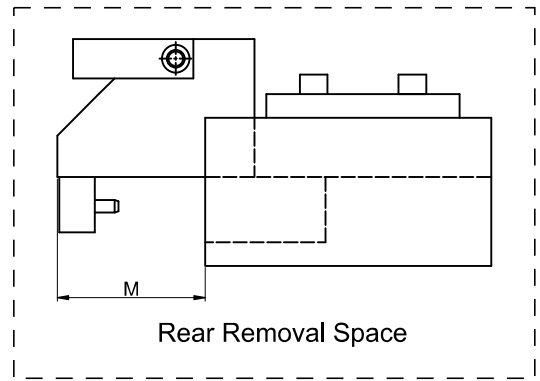
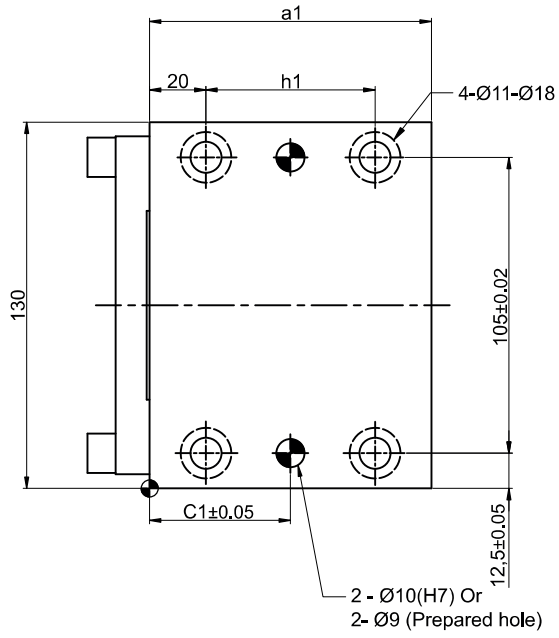


► Cam Unit - PCU-CS1-65-(00)



(Refer Cam Dimension Table)

► Cam Unit - PCU-CS1-65-(00)

Cam Dimensions														Cam Diagram		
W	Θ	S	A	H1	N	a	a1	c	c1	g	h	h1	M	X	Y	α
65	00	40	140	110	167	145	100	80	50	30	100	60	75	40	40	45°
		60	190	130	212	180	110	105	55	40	125	70	80	60	60	

Spring Force									
Working force KN(tonf)		Spring load N (kgf)			Total weight Kg	Catalog No.	W	Θ	Slide Stroke S
Standard working force	Max. working force	Preload	5 mm before bottom dead centre	Max. load.					
19.6 (2.0)	39.2 (4.0)	125 (12.7)	671 (68.4)	749 (76.4)	19.0	PCU-CS1	65	00	40
		135 (13.8)	707 (72.1)	759 (77.4)	22.0				60

Order Type - Code-Size(W)-Θ-Stroke(S)

Example - PCU-CS1-65-00-40