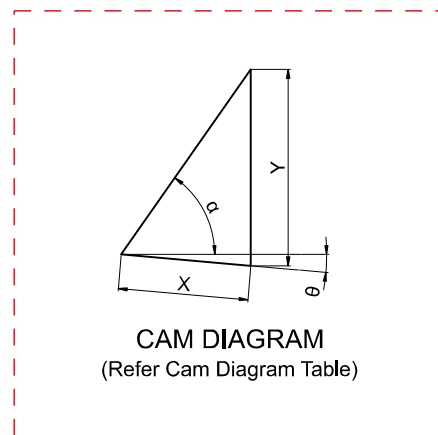
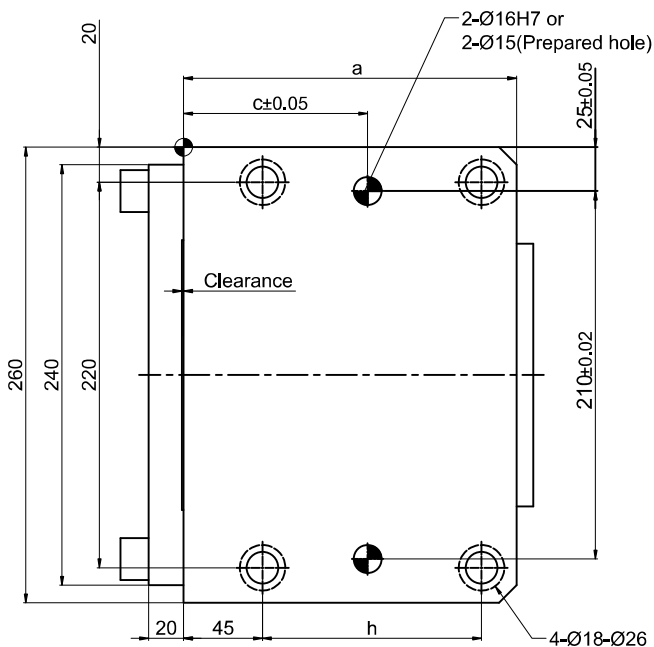
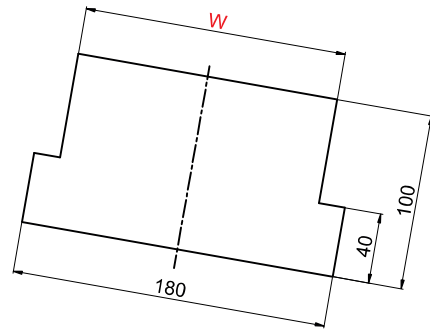
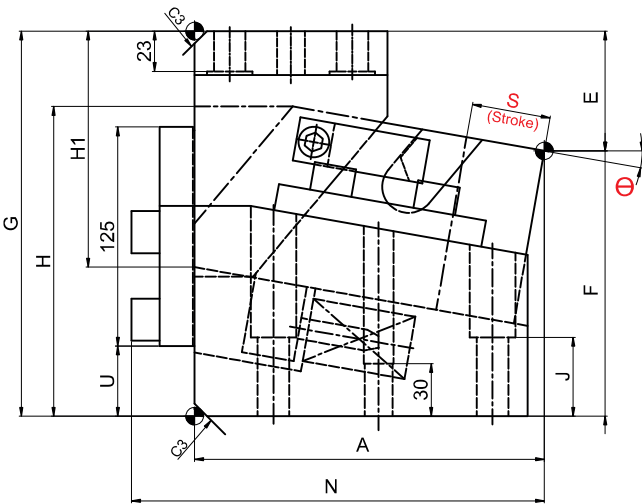
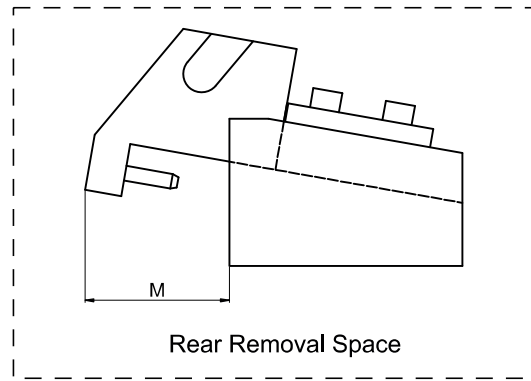
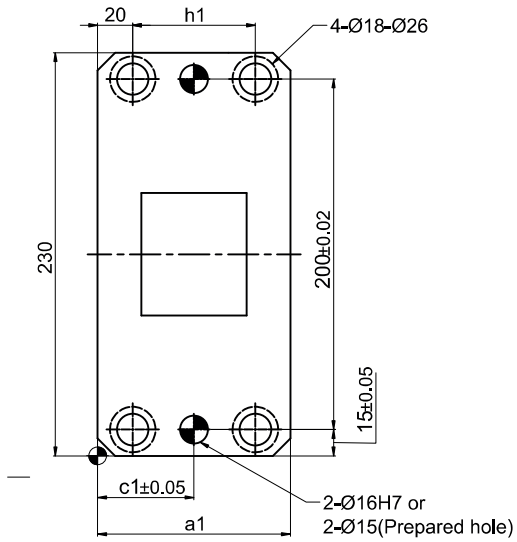


# ► Cam Unit - PCU-CS1-150-(05-20)



(Refer Cam Dimension Table)

## ► Cam Unit - PCU-CS1-150-(05-20)

Cam Dimension																			Cam Diagram		
W	Θ	S	A	E	F	G	H	H1	J	N	U	a	a1	c	c1	h	h1	M	X	Y	α
150	05°	45	193.01	61.50	158.50	220	170.2	145	35	229.01	30	190	110	105	55	125	70	115	45	67.9	55°
		70	217.92	53.68	166.32		180.6	170	253.92	200		130	120	65	135	90	103	70	105.7		
	10°	45	199.55	68.64	151.36	220	176.7	140	45	235.55	40	190	110	105	55	125	70	121	45	60.6	50°
		70	224.17	67.98	152.02		180.5	170		260.17		200	130	120	65	135	90	110	70	94.3	
	15°	45	204.58	76.29	143.71	230	179.6	130	60	240.58	55	190	120	105	60	125	80	126	45	55.1	45°
		70	228.73	77.76	152.24		194.6	155		264.73		200	140	120	70	135	100	111	70	85.7	
	20°	45	208.05	84.30	135.70	220	183.2	130	45	244.05	40	190	120	105	60	125	80	113	45	50.8	40°
		70	231.54	92.85	137.15		193.2	155		267.54		200	140	120	70	135	100		70	79.1	

Spring Force									
Working force KN(tonf)		Spring load N (kgf)			Total weight kg	Catalog No.	W	Θ	Slide Stroke S
Standard working force	Max. working force	Preload	5 mm before bottom dead centre	Max. load.					
64.7 (6.6)	98.1 (10.0)	431 (44.0)	1663 (169.6)	1817 (185.3)	62.0	PCU-CS1	150	05°	45
		305 (31.4)	1738 (177.2)	1848 (188.4)	73.0				70
		431 (44.0)	1663 (169.6)	1817 (185.3)	63.0			10°	45
		305 (31.4)	1738 (177.2)	1848 (188.4)	73.0				70
		431 (44.0)	1663 (169.6)	1817 (185.3)	65.0			15°	45
		305 (31.4)	1738 (177.2)	1848 (188.4)	77.0				70
		431 (44.0)	1663 (169.6)	1817 (185.3)	66.0			20°	45
		305 (31.4)	1738 (177.2)	1848 (188.4)	75.0				70

**Order Type - Code-Size(W)-Θ-Stroke(S)**

**Example - PCU-CS1-150-05-45**