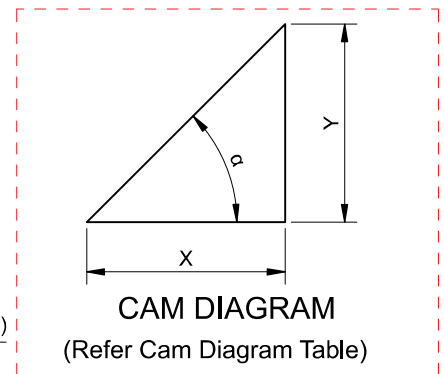
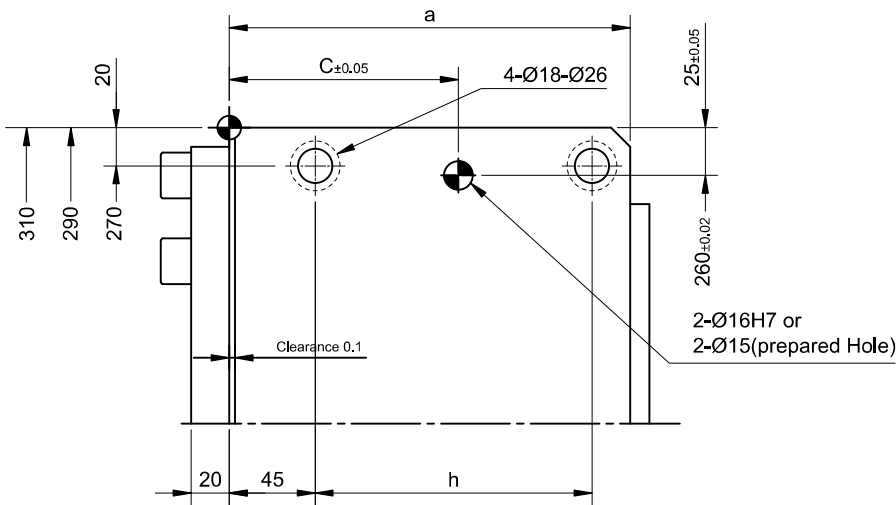
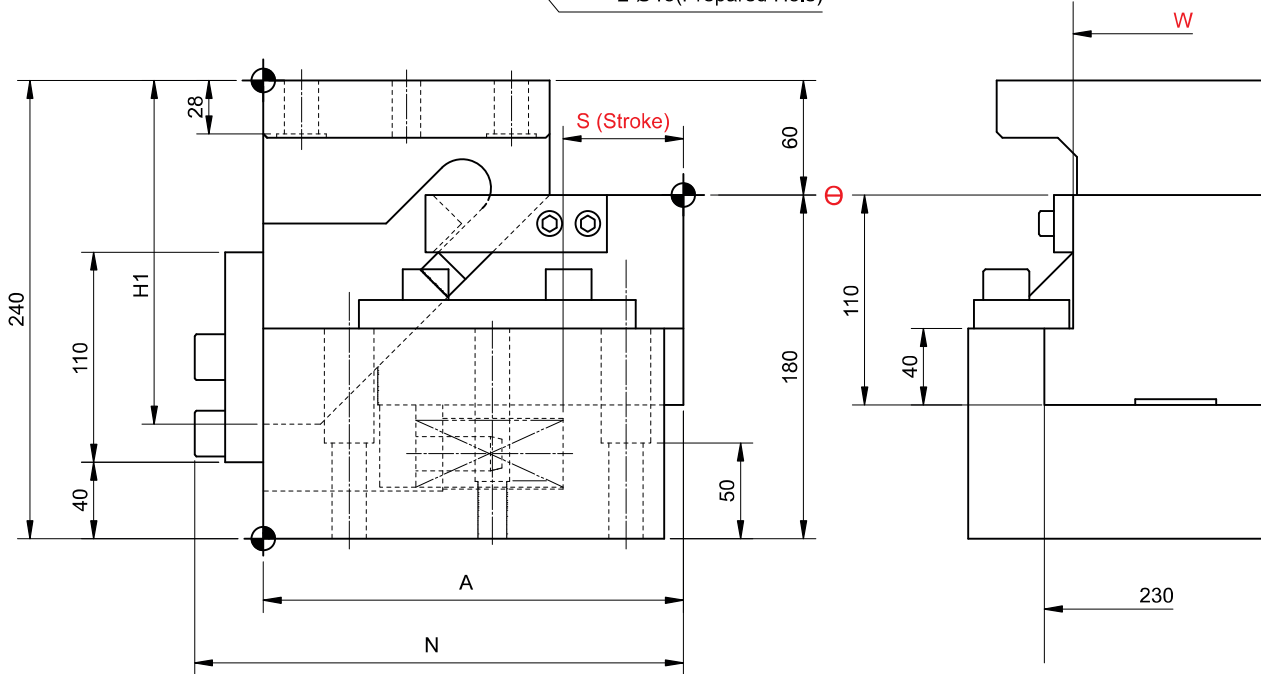
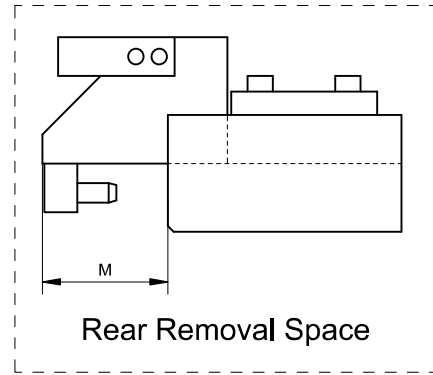
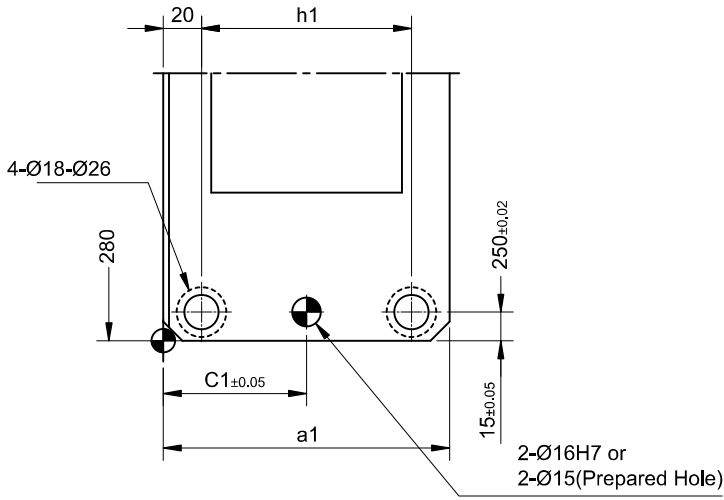


► Cam Unit - PCU-CS1-200-(00)



(Refer Cam Dimension Table)

## ► Cam Unit - PCU-CS1-200-(00)

Cam Dimensions													Cam Diagram		
W	Θ	S	A	H1	N	a	a1	c	c1	h	h1	M	X	Y	α
200	00	40	200	160	236	200	130	110	65	135	90	125	40	40	45°
		60	220	180	256	210	150	120	75	145	110	115	60	60	

Spring Force									
Working force KN (tonf)		Spring load N (kgf)			Total weight kg	catalog No.	W	Θ	Slide Stroke S
Standard working force	Max. working force	Preload	5 mm before bottom dead centre	Max. load.					
78.5(8.0)	117.7(12.0)	461(47.0)	2477(252.6)	2765(281.9)	82.0	PCU-CS1	200	00	40
		499(50.9)	2611(266.3)	2803(285.8)	84.0				60

**Order Type - Code-Size(W)-Θ-Stroke(S)**

**Example - PCU-CS1-200-00-40**



### Alternations-

Option Code(OC)	Specifications
GS	Cam with Gas Spring NFS-S6-25-50-YELLOW (only applicable for CS1-200-00-40)

**Order Type:- CODE-SIZE(W)-Θ-STROKE(S)-OC**

**Example:- PCU-CS1-200-00-40-GS**