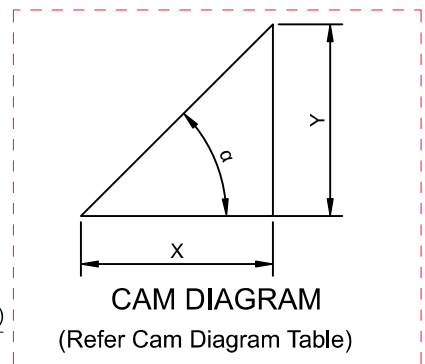
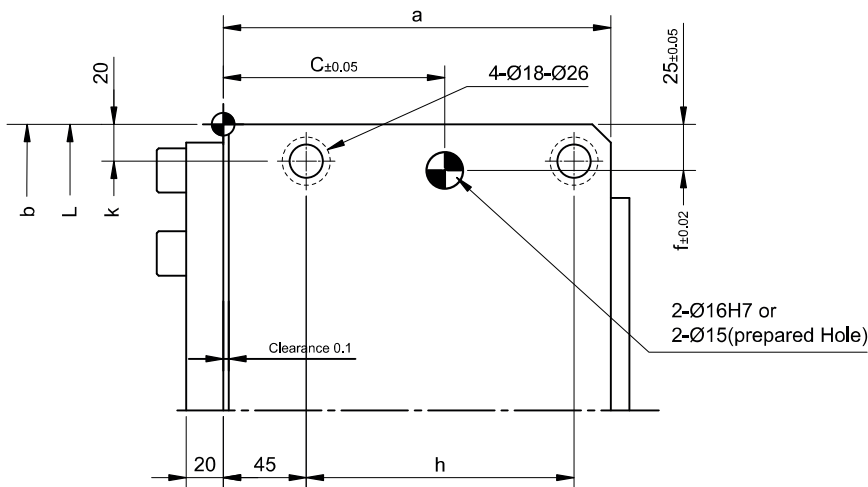
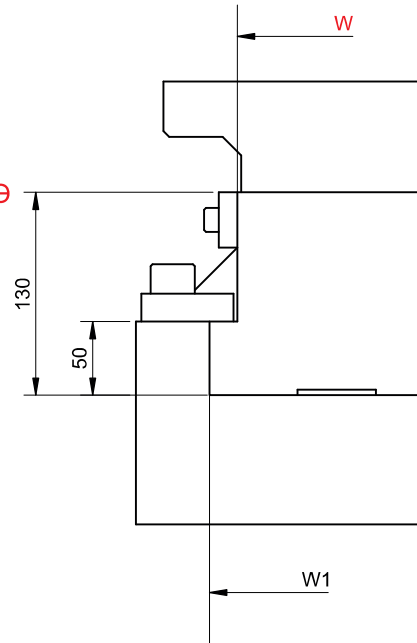
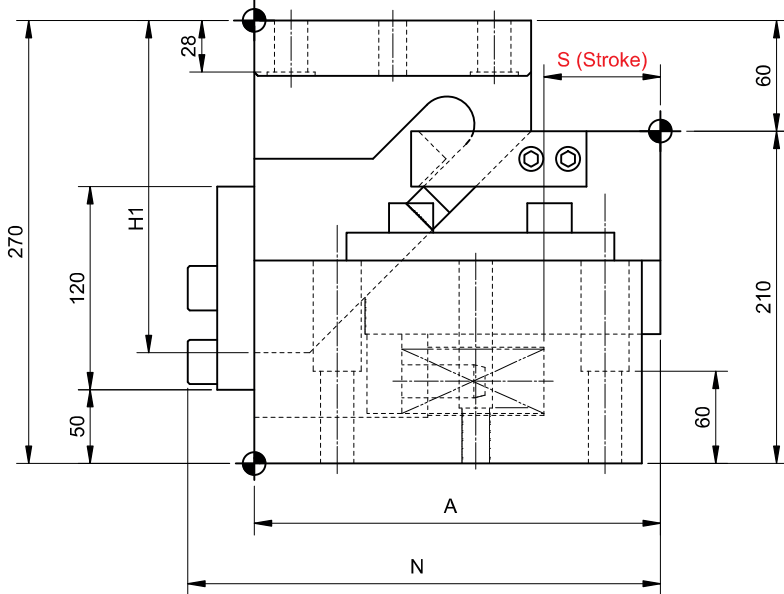
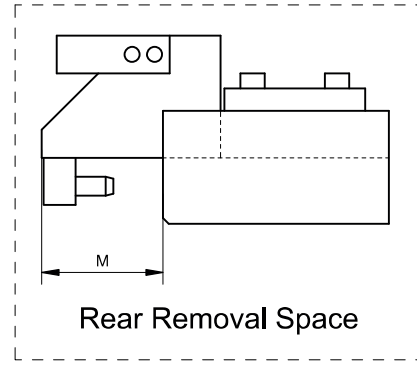
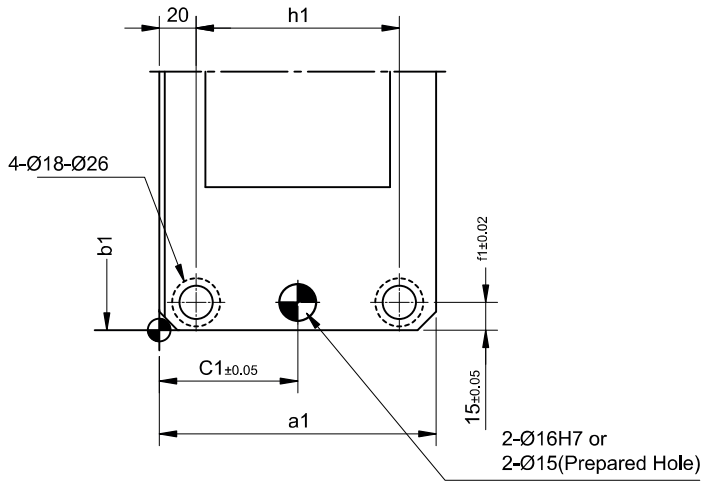


► Cam Unit - PCU-CS1-250/300-(00)



(Refer Cam Dimension Table)

► Cam Unit - PCU-CS1-250/300-(00)

Cam Dimensions																				Cam Diagram		
W	Θ	S	A	H1	N	W1	a	a1	b	b1	c	c1	f	f1	h	h1	k	L	M	X	Y	α
250	00	40	210	170	246	280	200	140	360	330	105	70	310	300	135	100	320	340	135	40	40	45°
		60	230	190	266		220	160			125	80			155	120			115	60	60	
300		40	210	170	246	330	200	140	410	380	105	70	360	350	135	100	370	390	135	40	40	
		60	230	190	266		220	160			125	80			155	120			115	60	60	

Spring Force									
Working force KN(tonf)			Spring load N (kgf)		Total weight kg	catalog No.	W	Θ	Slide Stroke S
Standard working force	Max. working force	Preload	5 mm before bottom dead centre	Max. load.					
98.1(10.0)	147.1(15.0)	602(61.4)	3238(330.2)	3614(368.6)	106.0	PCU-CS1	250	00	40
		651(66.4)	3407(347.4)	3657(372.9)	127.0				60
117.7(12.0)	176.5(18.0)	602(61.4)	3238(330.2)	3614(368.6)	106.0		300		40
		651(66.4)	3407(347.4)	3657(372.9)	128.0				60

Order Type - Code-Size(W)-Θ-Stroke(S)

Example - PCU-CS1-250-00-40