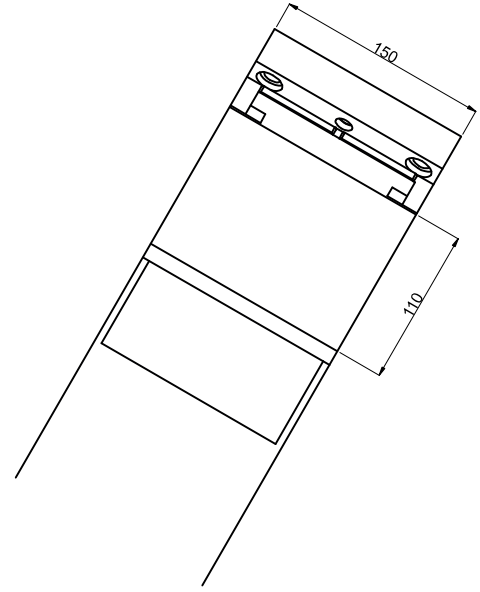
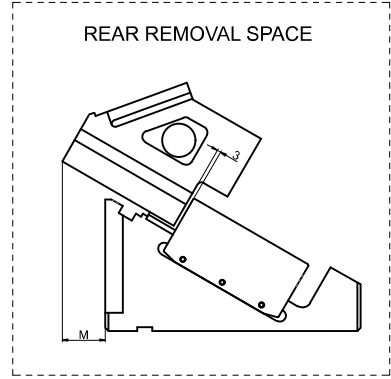
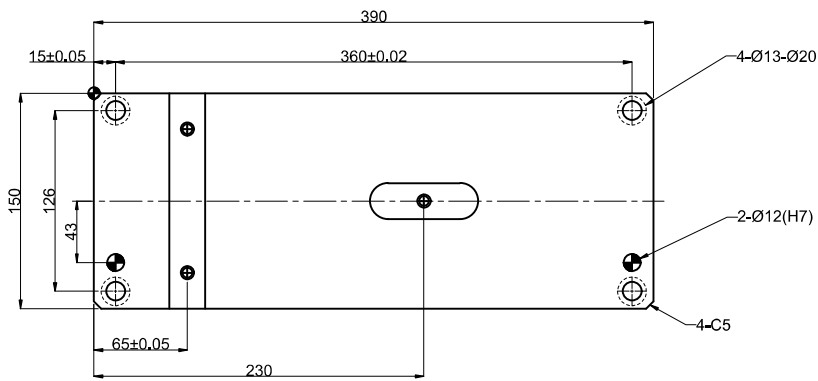
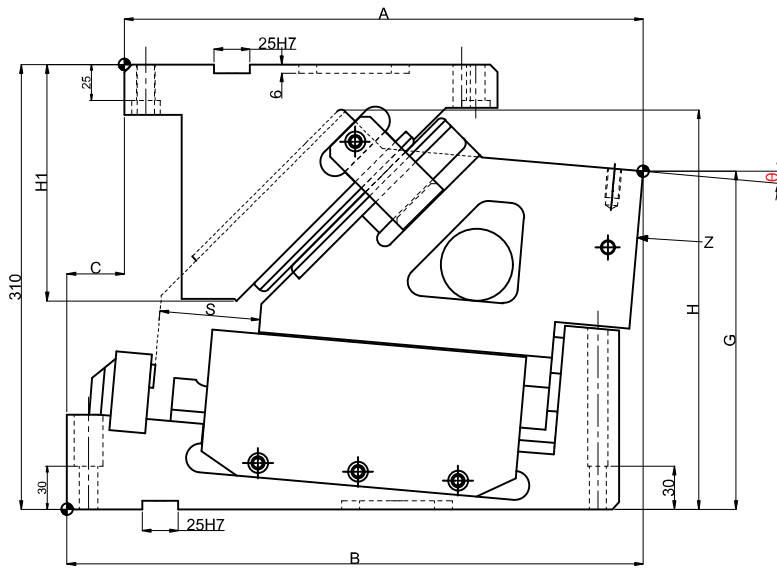
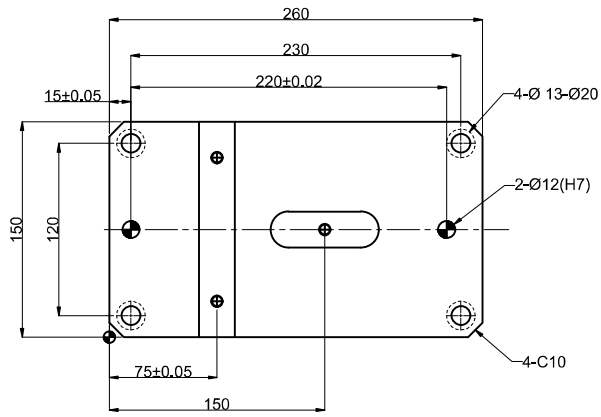
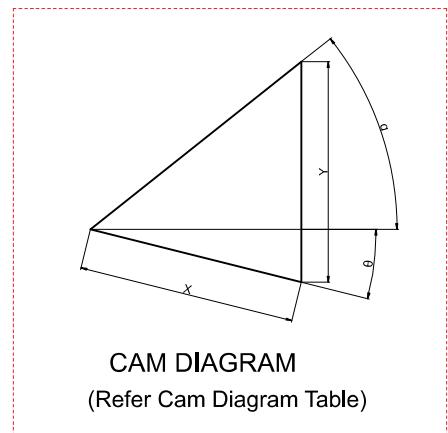


► Cam Unit - PCU-CS-11-150-(00-20)



Z-View



► Cam Unit - PCU-CS-11-150-(00-20)

| Cam Dimensions | | | | | | | | Cam Diagram | | |
|----------------|----------|--------|--------|----|-------|--------|-------|-------------|------|----------|
| W | θ | A | B | C | F | G | H | X | Y | α |
| 150 | 00° | 355 | 390 | 35 | 189 | 250 | 273.7 | 108.9 | 83.4 | 50° |
| | 05° | 362.59 | 407.59 | 45 | 175.8 | 237.48 | 280.9 | 98.6 | 75.8 | 45° |
| | 10° | 358.74 | 423.74 | 65 | 161.7 | 224.96 | 287.8 | 90 | 70 | 40° |
| | 15° | 364.37 | 434.37 | 70 | 147.1 | 212.49 | 294.2 | 82.5 | 65.5 | 35° |
| | 20° | 364.4 | 444.4 | 80 | 132 | 200.13 | 300.2 | 76 | 61.9 | 30° |

| Spring Force | | | | | | |
|-------------------------|------------|-----------------------|-----------------|--------------|-----|----------|
| Working force KN (tonf) | Cam Slider | Gas spring (standard) | Total weight kg | Catalog Code | W | θ |
| Max. working force | Weight kg | Max. force N(kgf) | | | | |
| 166.7 (17.0) | 40.8 | 12000(1224.5) | 99.4 | PCU-CS11 | 150 | 00° |
| | | | 100.3 | | | 05° |
| | | | 100.7 | | | 10° |
| | | | 103.2 | | | 15° |
| | | | 105.9 | | | 20° |

Gas Spring (Standard)

| Gas spring Load N(kgf) | Model Spring |
|------------------------|---------------|
| Max.load | N-FORCE |
| 12000(1224.5) | NFS-S4-750-80 |

Gas Spring (Power option "v")

| Gas spring Load N(kgf) | Model Spring |
|------------------------|----------------|
| Max.load | N-FORCE |
| 11900(1214.3) | NFS-S1-1000-80 |

Order Type:- CODE-SIZE(W)- θ

Example:- PCU-CS11-150-10

| Alternations- | |
|------------------|---|
| Option Code (OC) | Specifications |
| K | Dedicated key attached.(It is not assembled to the main unit) |
| NF | Nitrogen gas is not charged. |
| V | Gas spring is changed to Power type. |

Order Type:- CODE-SIZE(W)- θ -OC

Example:- PCU-CS11-150-10-K