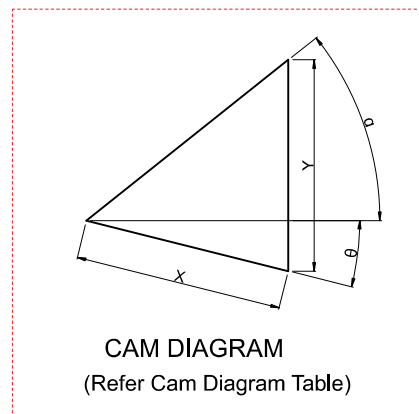
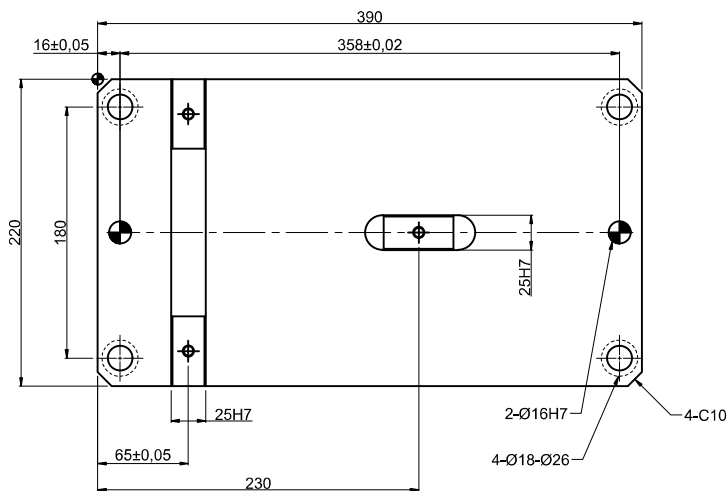
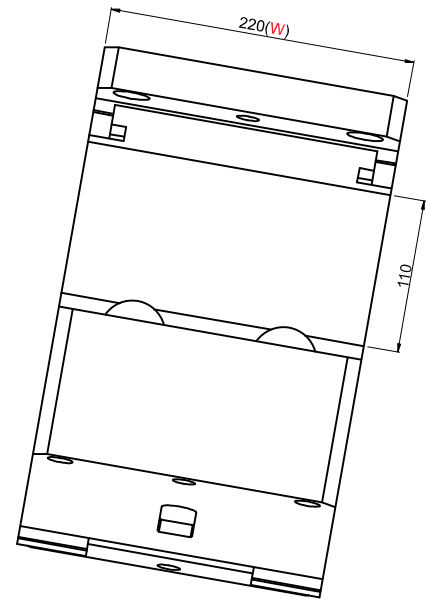
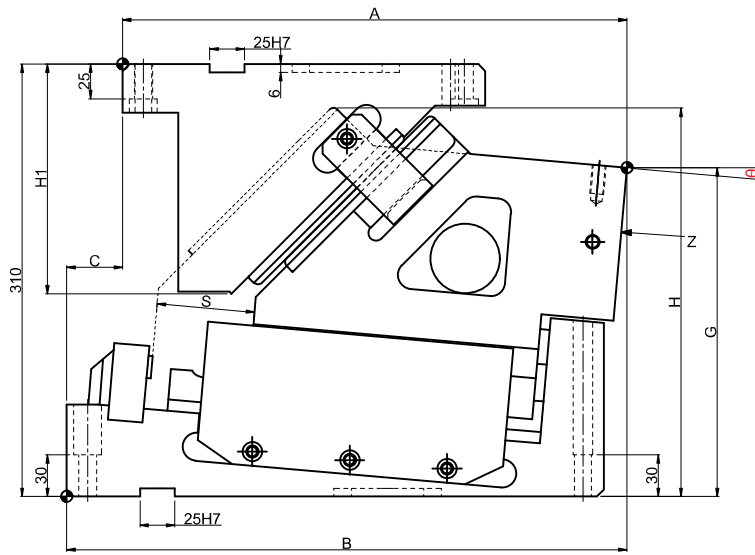
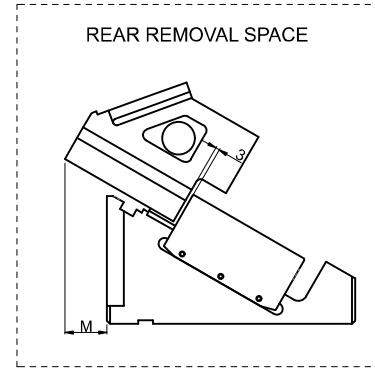
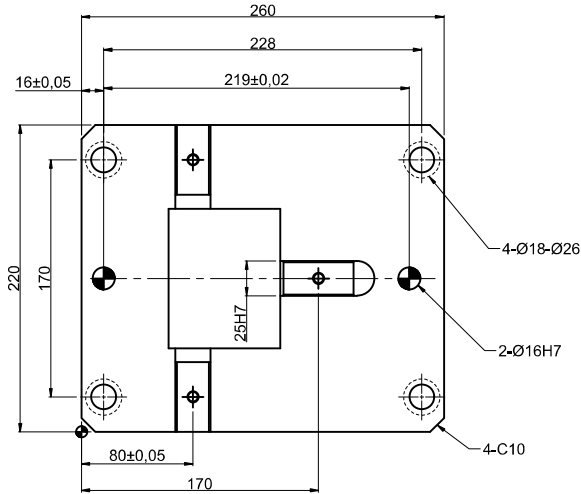


► Cam Unit - PCU-CS-11-220-(00-20)



## ► Cam Unit - PCU-CS-11-220-(00-20)

Cam Dimensions								Cam Diagram		
W	$\theta$	A	B	C	F	G	H	X	Y	$\alpha$
220	00°	355.00	390.00	35	177.6	247.00	274.5	108.9	83.4	50°
	05°	356.59	406.59	50	165.9	234.56	280.7	98.6	75.8	45°
	10°	347.76	422.76	75	161.7	223.13	287.8	90	70	40°
	15°	348.41	433.41	85	138.6	211.75	294.1	82.5	65.5	35°
	20°	346.46	443.46	97	124.3	200.75	300.0	76	61.9	30°

Spring Force						
Working force KN (tonf)	Cam Slider	Gas spring (standard)	Total weight kg	Catalog Code	W	$\theta$
Max. working force	Weight kg	Max. force N(kgf)				
245.2(25.0)	60.3	13400(1367.3)	139	PCU-CS11	220	00°
					140	05°
					141	10°
					145	15°
					150	20°

### Gas Spring (Standard)

Gas spring Load N(kgf)	Model Spring
Max.load	N-FORCE
13400(1367.3)	NFS-S4-500-80

### Gas Spring ( Power option "v")

Gas spring Load N(kgf)	Model Spring
Max.load	N-FORCE
23800(2448.6)	NFS-S1-750-80

Order Type:- CODE-SIZE(W)- $\theta$

Example:- PCU-CS11-220-10

Alternations-	
Option Code (OC)	Specifications
K	Dedicated key is attached.(It is not assembled to the main unit)
NF	Nitrogen gas is not charged.
V	Gas spring is changed to Power type.

Order Type:- CODE-SIZE(W)- $\theta$ -OC

Example:- PCU-CS11-220-10-K