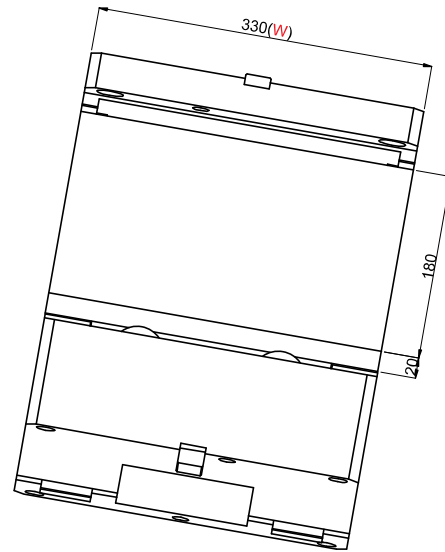
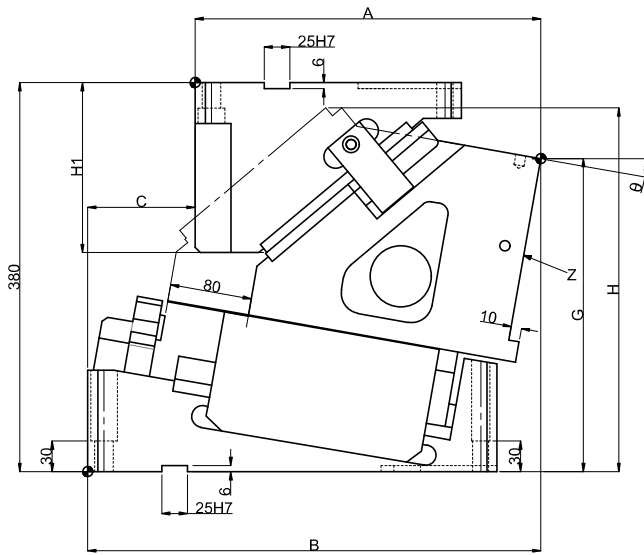
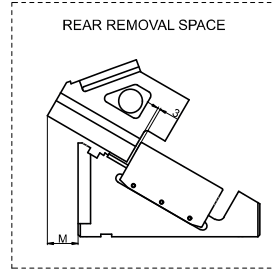
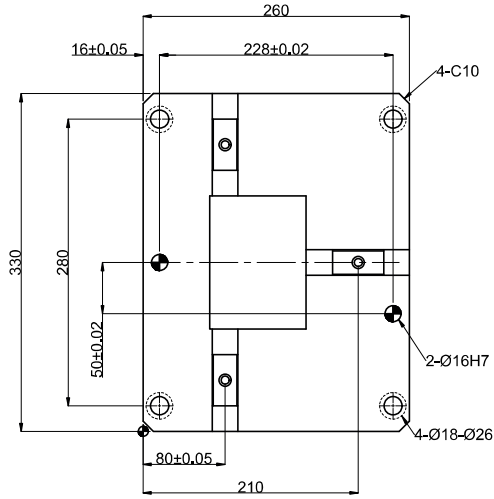
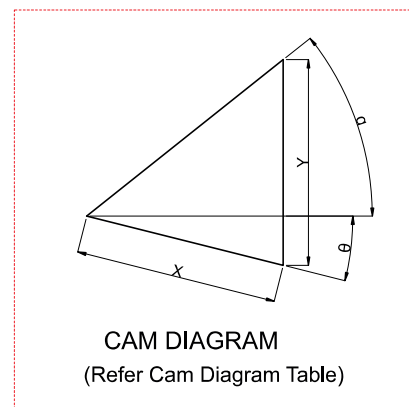
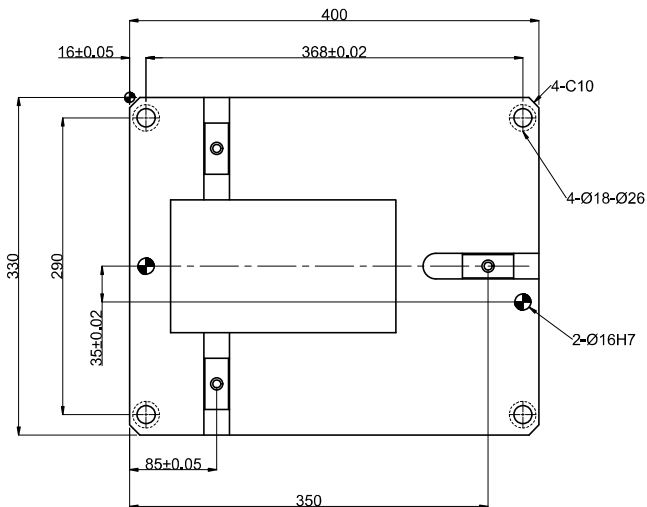


► Cam Unit - PCU-CS-11-330-(00-20)



Z-View



## ► Cam Unit - PCU-CS-11-330-(00-20)

Cam Dimensions								Cam Diagram		
W	$\theta$	A	B	C	F	G	H	X	Y	$\alpha$
330	00°	335.00	400.00	65	195.50	326.00	339.4	124.5	95.3	50°
	05°	334.20	424.20	90	185.80	316.67	347.3	112.7	86.7	45°
	10°	337.94	442.94	105	172.70	305.68	353.3	102.8	80	40°
	15°	336.09	461.09	125	161.50	292.08	356.4	94.3	74.8	35°
	20°	333.52	478.52	145	145.40	282.93	363.4	86.8	70.8	30°

Spring Force						
Working force KN (tonf)	Cam Slider	Gas spring (standard)	Total weight kg	Catalog Code	W	$\theta$
Max. working force	Weight kg	Max. force N(kgf)				
343.2(35.0)	60.3	22000(2244.9)	251	PCU-CS11	330	00°
			253			05°
						10°
						15°
						20°

### Gas Spring (Standard)

Gas spring Load N(kgf)	Model Spring
Max.load	N-FORCE
22000(2244.9)	NFS-S3-750-100

### Gas Spring ( Power option "v")

Gas spring Load N(kgf)	Model Spring
Max.load	N-FORCE
29600(3020.4)	NFS-S1-1000-100

Order Type:- CODE-SIZE(W)- $\theta$

Example:- PCU-CS11-330-10

Alternations-	
Option Code (OC)	Specifications
K	Dedicated key is attached.(It is not assembled to the main unit)
NF	Nitrogen gas is not charged.
V	Gas spring is changed to Power type.

Order Type:- CODE-SIZE(W)- $\theta$ -OC

Example:- PCU-CS11-330-10-K