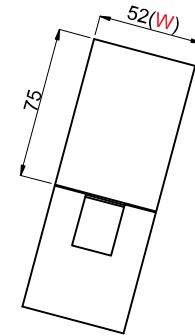
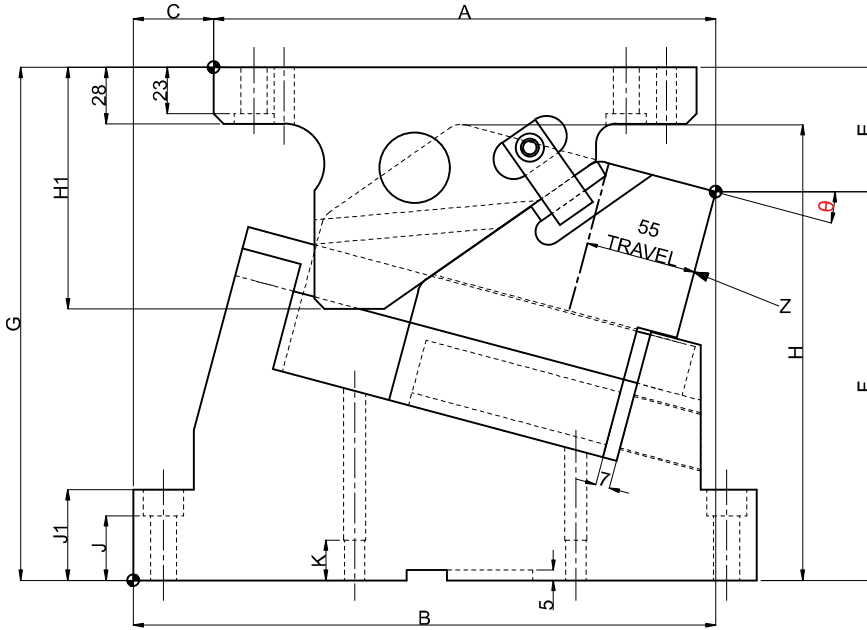
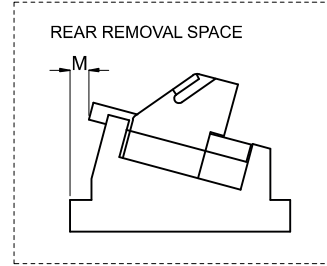
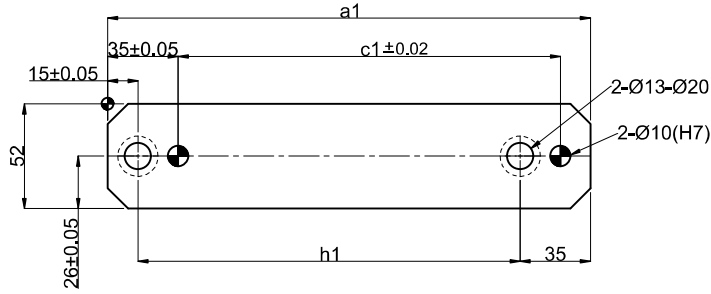
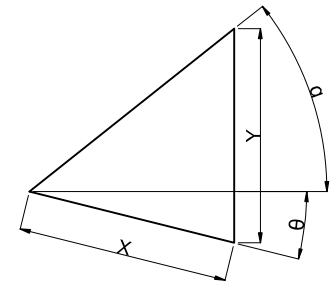
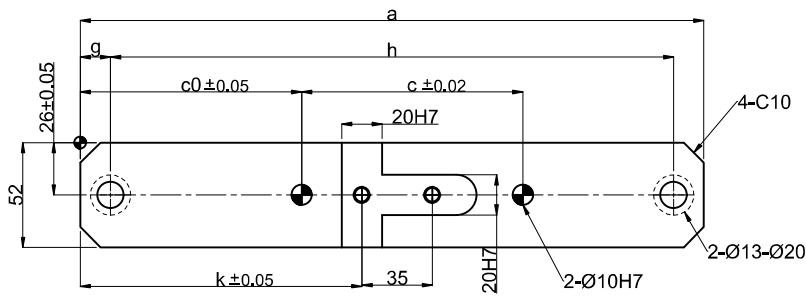


► Cam Unit - PCU-CS-13-52-(00-20)



Z-View



CAM DIAGRAM
(Refer Cam Diagram Table)

► Cam Unit - PCU-CS-13-52-(00-20)

Cam Dimensions																						Cam Diagram				
W	θ	S	A	B	C	E	F	G	H	H1	J	J1	K	a	a1	c	c0	c1	g	h	h1	k	m	X	Y	α
52	00°	55	220.00	220.00	0	45	170.00	215	170	145	14	-	28	235	210	105	65	160	45	145	160	90	26	55	65.5	50°
	05°		234.87	269.87	35	59.34	195.66	255	205.8		130	32	45	20	310	225	110	110	175	15	280	175	140	0	55	59.6
	10°		244.75	279.75		59.98	195.02		215.2	235						185			185			55			55	40°
	15°		249.51	289.51		40	61.91		193.09	223.2	190	190	55	51.4	35°											
	20°		249.05	304.05	55	80.12	174.88		214.6	35	55	48.7	30°													

Spring Force									
Slide Stroke S	Working force KN (tonf)		Spring load N (kgf)			Total weight kg	Catalog No.	W	θ
	Standard working force	Max. working force	Preload	5mm before bottom dead center	Max. load				
55	19.6(2.0)	39.2 (4.0)	85(8.7)	559(57.0)	607(61.9)	14.2	PCU-CS13	52	00°
						18.5			05°
						19.4			10°
						20.0			15°
						19.5			20°

Order Type:- CODE-SIZE(W)-θ
 Example:- PCU-CS13-52-00

Alteration-CS13-52

Alternations-	
Option Code (OC)	Specifications
K	Key attached.
SC	The mount surface is extended forward in the range of 0 to 65 mm (at increments of 1 mm).
WC	The mounting surface width (W) is changed within the range 53 mm - 100 mm (1 mm increments).

Order Type:- CODE-SIZE(W)-θ-OC
 Example:- PCU-CS13-52-00-K

