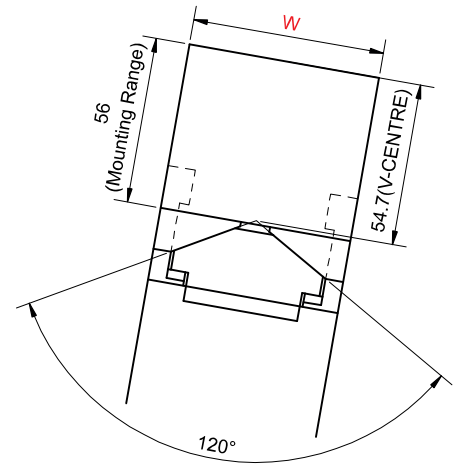
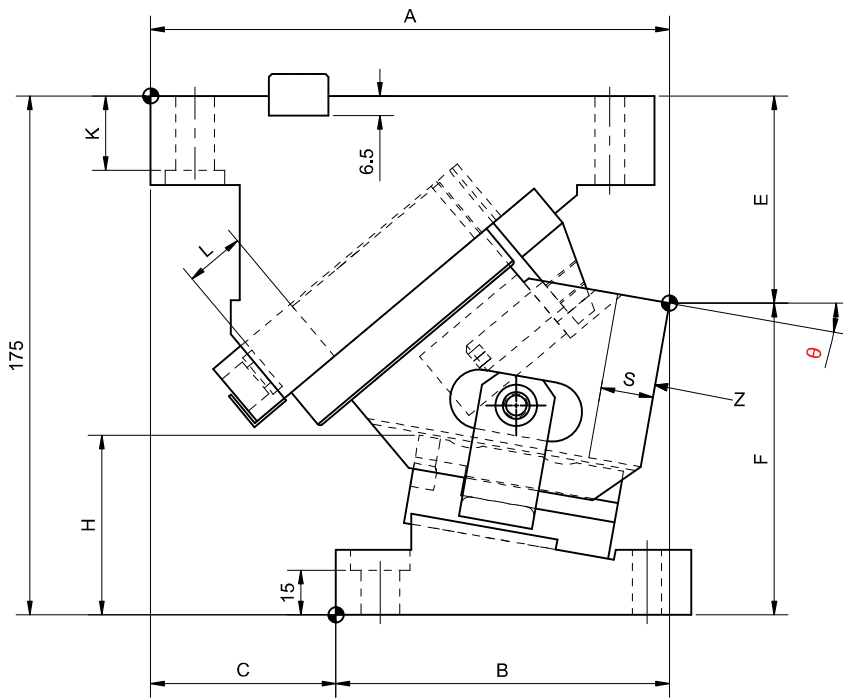
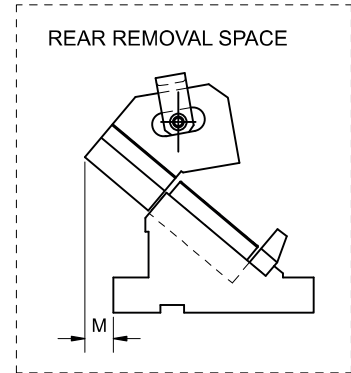
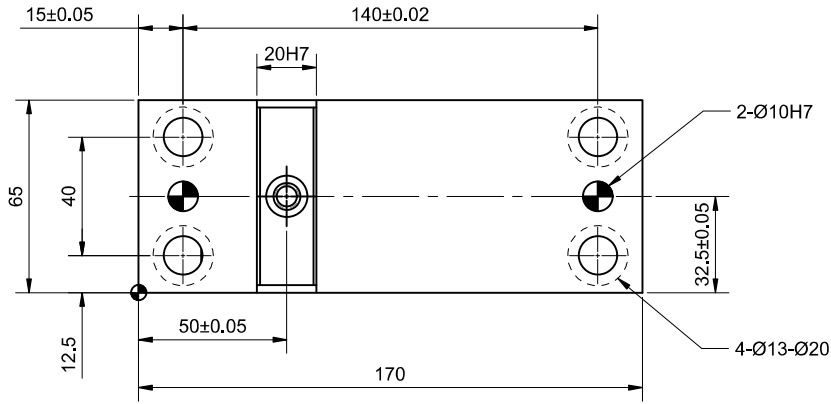
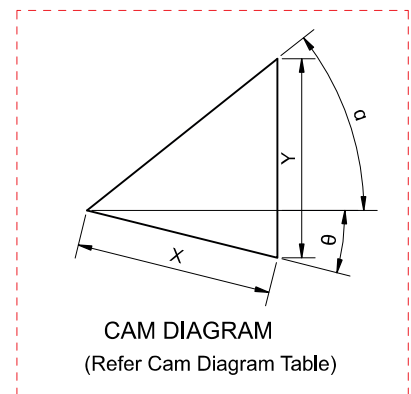
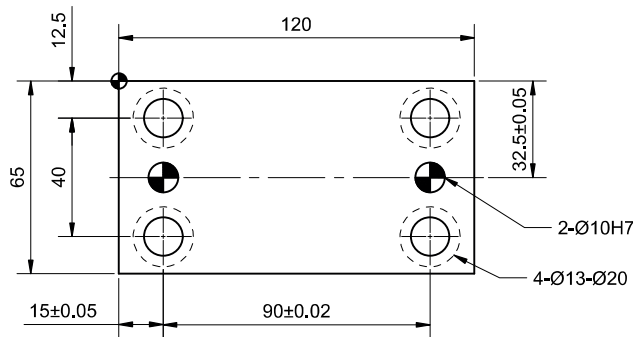


# Cam Unit - PCU-CS-14-65-(00-50)



Z-View



## ► Cam Unit - PCU-CS-14-65-(00-50)

Cam Dimensions											Cam Diagram		
W	$\theta$	A	B	C	E	F	H	K	L	m	X	Y	$\alpha$
65	00°	170	100	70	60	115	58	25	23.3	15	15	17.8	50°
	05°	170.36	105.36	65	67.22	107.78	57.1		22	21	15.6	16.9	45°
	10°	175.07	112.57	62.5	69.88	105.12	61.1		20		15.6	15.6	40°
	15°	174.09	119.09	55	72.92	102.08	65.3			26	17	15.9	35°
	20°	172.40	127.40	45	76.28	98.72	70.2	18	31	18.4	16.3	30°	
	30°	171.78	136.78	35	83.71	91.29	78.1			19.5	15.9	20°	
	40°	163.07	143.07	20	91.63	83.37	84.5		34	23.1	18	10°	
	50°	170	151.22	5	104.5	70.50	91.1	15	16	33	24.9	19.1	00°

Spring Force									
Slide Stroke S	Working force KN (tonf)		Spring load N (kgf)			Total weight kg	Catalog No.	W	$\theta$
	Standard working force	Max. working force	Preload	5mm before bottom dead center	Max. load				
15.0	29.4(3.0)	58.8(6.0)	245(25.0)	638(65.0)	835(85.1)	10.7	PCU-CS14	65	00°
15.6			278(28.4)	658(67.1)		10.4			05°
15.6			237(24.1)	639(65.2)	829(84.5)	10.2			10°
17.0				654(66.7)		9.9			15°
18.4			669(68.2)	9.9	20°				
19.5			176(17.9)	648(66.0)	810(82.6)	9.6			30°
23.1				672(68.6)		9.5			40°
24.9				246(25.1)		697(71.1)			9.9

Order Type:-Code-Size(W)- $\theta$

Example:-PCU-CS14-65-00

Alternations:-	
Option Code(OC)	Specification
K	Add 3 locating key (With 1 hexagon socket head cap screw M8x15)

Order Type:-Code-Size(W)- $\theta$ -OC

Example:-PCU-CS14-65-00-K