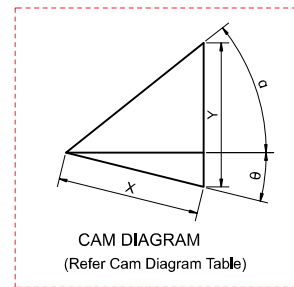
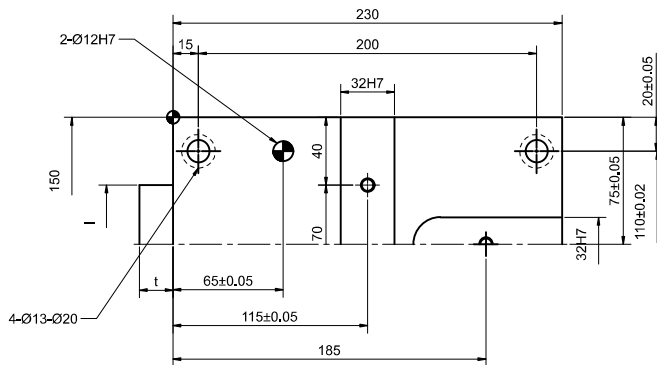
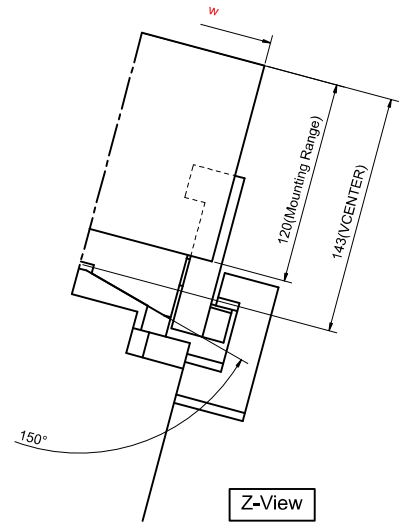
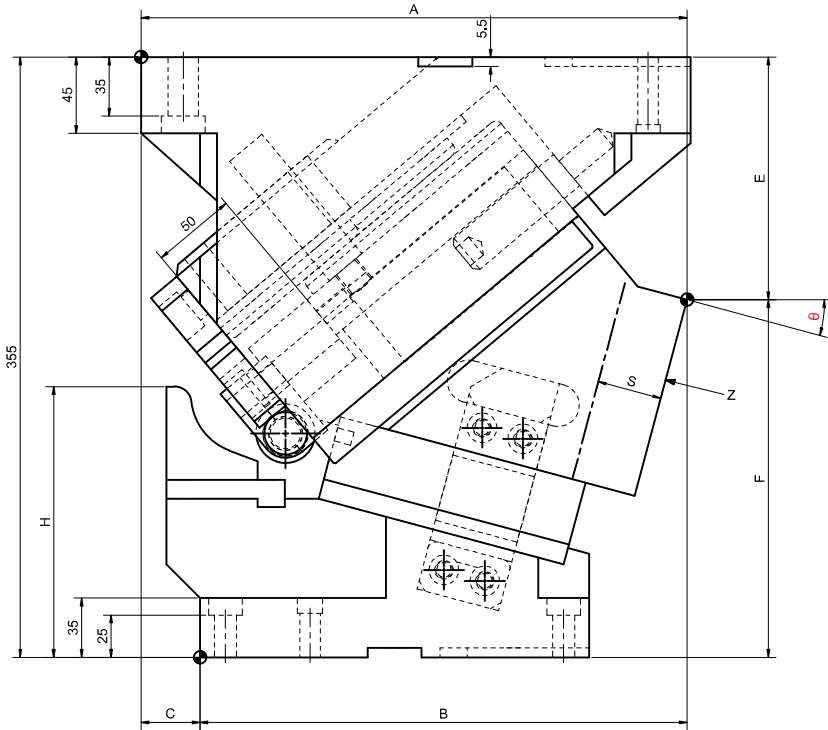
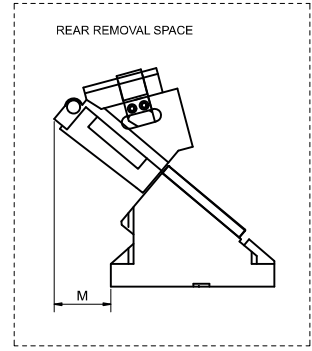
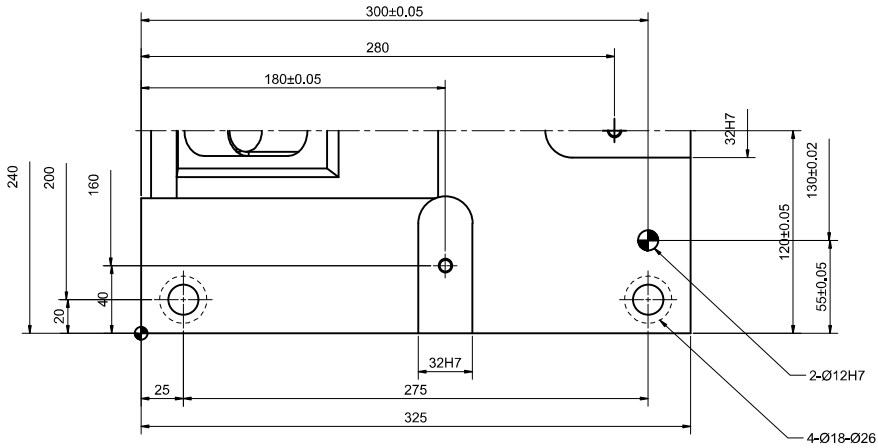


# Cam Unit - PCU-CS-14-150-(00-30)



## ► Cam Unit - PCU-CS-14-150-(00-30)

Cam Dimensions											Cam Diagram		
W	$\theta$	A	B	C	E	F	H	I	t	m	X	Y	$\alpha$
150	00°	325	245	80	130	225	105	70	25	46	28.7	40.9	55°
	05°	319.70	259.7	60	133.26	221.74	125			75	32.2	41.1	50°
	10°	319.06	274.06	45	137.79	217.21	145			99	35.9	41.5	45°
	15°	322.98	287.98	35	143.56	211.44	160		20	114	39.6	42.2	40°
	20°	326.33	301.33	25	150.51	204.49	180		15	127	43.5	43.5	35°
	25°	329.03	314.03	15	158.61	196.39	200		10	137	47.7	45.1	30°
	30°	325.98	325.98	0	167.78	187.22	215		-	-	149	52.3	47.2

Spring Force									
Slide Stroke S	Working force KN (tonf)		Spring load N (kgf)			Total weight kg	Catalog No.	W	$\theta$
	Standard working force	Max. working force	Preload	5mm before bottom dead center	Max. load				
28.7	147.1(15.0)	294.2(30.0)	862(87.9)	5951(606.8)	7022(716.1)	117.6	PCU-CS14	150	00°
32.2				6074(619.4)		114.0			05°
35.9				6160(628.1)		113.4			10°
39.6				6246(636.9)		111.9			15°
43.5				6320(644.5)		111.3			20°
47.7				6382(650.8)		111.2			25°
52.3				6431(655.8)		110.2			30°

Order Type:-Code-Size(W)- $\theta$

Example:-PCU-CS14-150-00

Alternations:-	
Option Code(OC)	Specification
N13	Change dowel hole diameter $\phi$ 12H7 $\rightarrow$ $\phi$ 13H7
K	Add 6 locating keys (With 6 hexagon socket head cap screws M8x15)
KA	Add 6 stepped locating keys (With 6 hexagon socket head cap screws M8x15)

Order Type:-Code-Size(W)- $\theta$ -OC

Example:-PCU-CS14-150-00-N13

