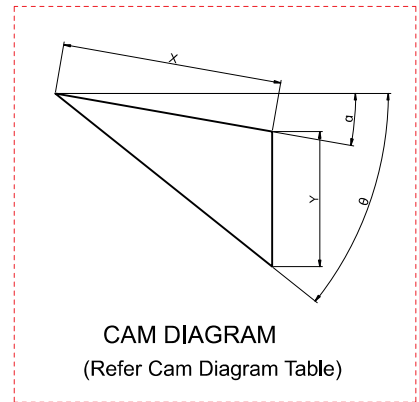
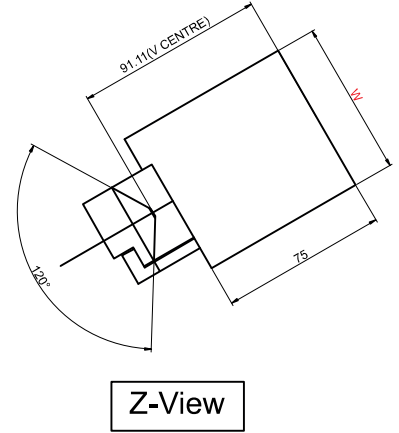
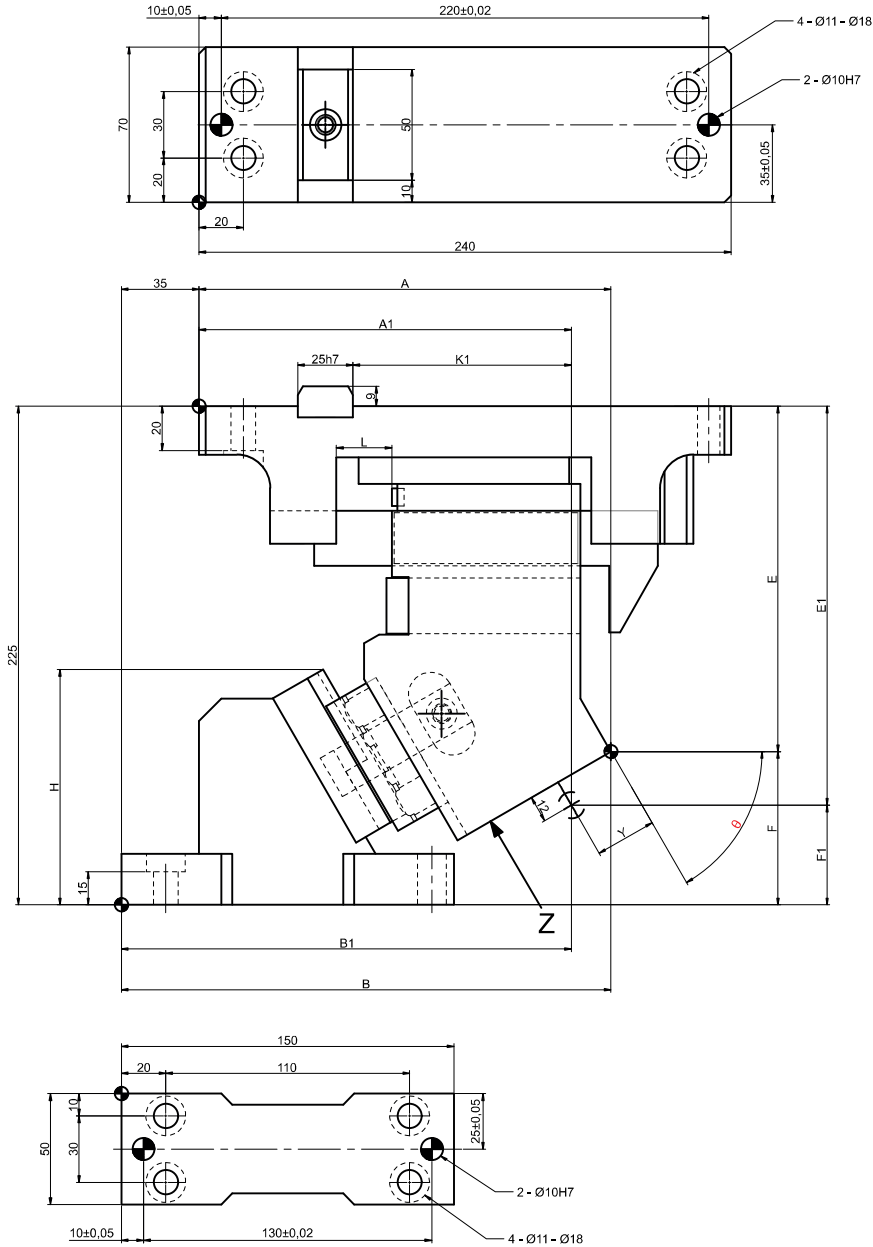


► Cam Unit - PCU-CS-15-70-(45-60)



► Cam Unit - PCU-CS-15-70-(45-60)

Cam Dimensions														Cam Diagram			
W	θ	A	A1	B	B1	C	E	E1	F	F1	H	K1	L	y	X	Y	α
70	45°	198.15	181.4	200.15	183.4	2	131.28	165	93.72	60	96.1	110.5	30	35.68	42.3	32.5	05°
	50°	190.95	168.09	211.95	189.09	21	135.15	170	89.85	55	104.0	106.0		39.92	46.7	35.8	0°
	55°	190.51	170.02	213.51	193.02	23	146.00	175	79	50	104.8	101.5	25	33.41	43.6	35.7	0°
	60°	185.81	167.99	220.81	202.99	35	155.86	180	69.14	45	106.3	98.5		27.5	50	43.3	0°

Spring Force						
Slide Stroke S	Working force KN (tonf)	Total weight kg	Catalog Code	W	θ	Spring Code
42.3	98.1(10.0)	13.8	PCU-CS15	70	45°	GK ISO NGK NISO
46.7		13.9			50°	
43.6		14.1			55°	
50.0		14.5			60°	

Spring type						
Spring Code	Spring specification	Spring load N (kgf)				Remarks
		θ	Preload	5mm before bottom dead center	Max. load	
GK	M150-38.1	—	—	—	2350(240.0)	Gas Spring
ISO	φ 25x115	45	69(7.0)	588(60.0)	657(67.0)	Coil Spring (Constant=19.6 N/mm)
		50		594(60.6)		
		55	88(9.0)	521(53.2)	578(59.0)	
		60		529(54.0)		
NGK	—	—	—	—	—	Without gas Spring
NISO	—	—	—	—	—	Without gas Spring

Order Type:- CODE-SIZE(W)-θ

Example:- PCU-CS15-70-45

Alternations-	
Option Code (OC)	Specifications
NF	Nitrogen gas not charged.

Order Type:- CODE-SIZE(W)-θ-OC

Example:- PCU-CS15-70-45-NF