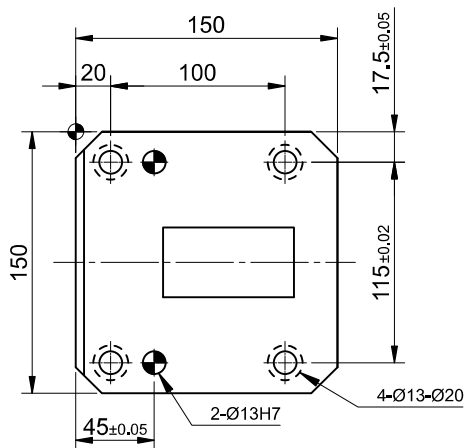
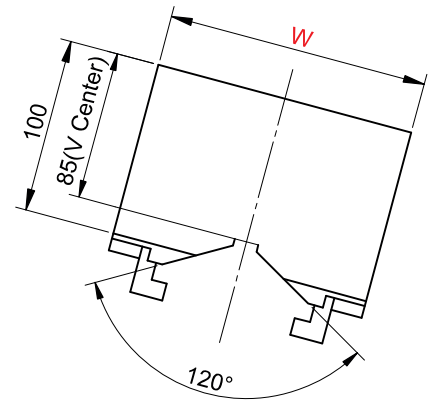
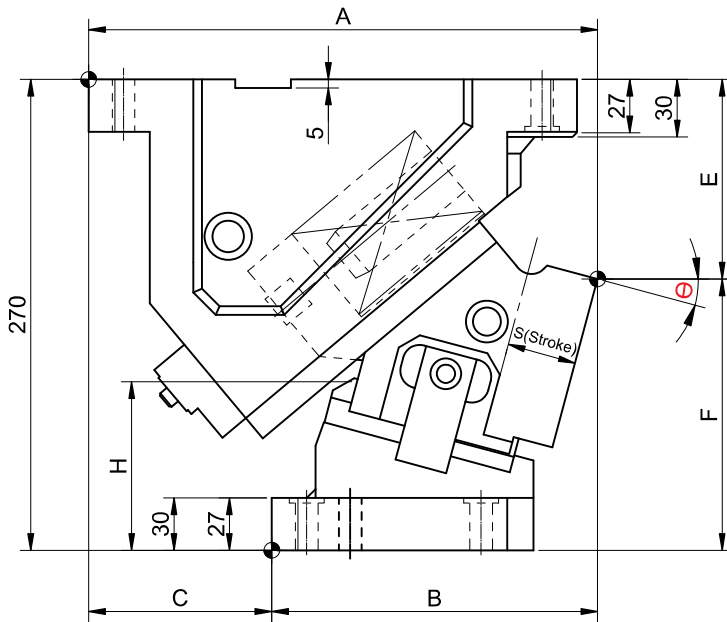
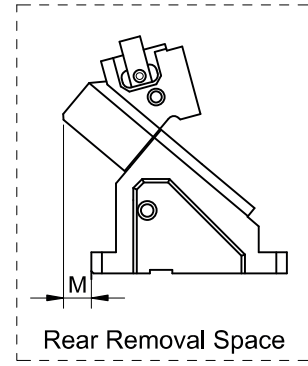
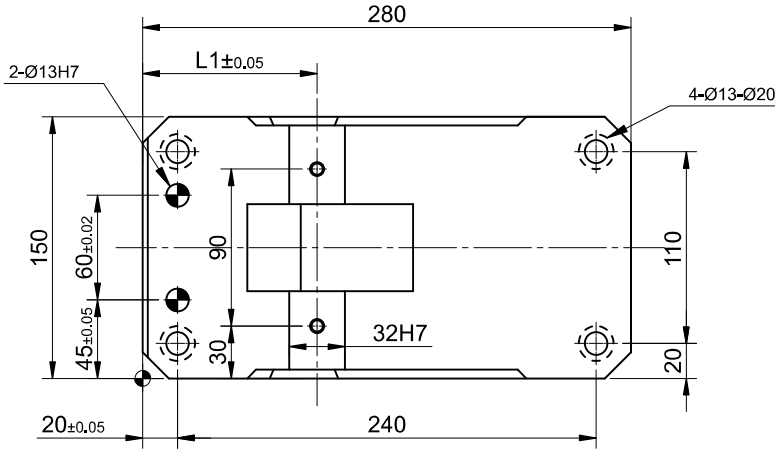
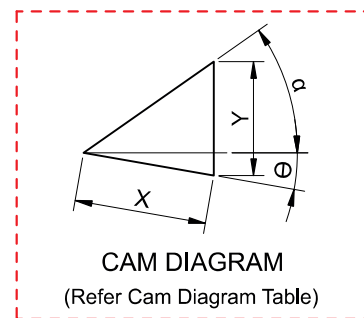


► Cam Unit - PCU-CS2-150-(00-55)



(Refer Cam Dimension Table)



## ► Cam Unit - PCU-CS2-150-(00-55)

Cam Dimension										Cam Diagram			
W	Θ	A	B	C	E	F	H	L	L1	M	X	Y	α
150	00°	280.00	160.00	120	85.00	185.00	94.0	50	100	20	32.1	38.3	50°
	05°	288.26	173.26	115	95.84	174.16					32.3	41.1	
	10°	285.54	180.54	105	102.36	167.64	98.9			41	38.9	38.9	40°
	15°	291.79	186.79		114.47	155.53	98.7				39.7	42.4	
	20°	286.97	196.97	90	122.07	147.93	103.5			57	46.1	40.8	30°
	25°	291.02	201.02		135.08	134.92	103.2				47.8	45.2	
	30°	283.92	213.92	70	138.40	131.6	112.8		69	54.3	44.2	20°	
	35°	285.66	215.66		151.91	118.09	112.4			57.4	50		
	40°	276.20	231.20	45	155.53	114.47	121.9		75	64.3	50	10°	
	45°	275.56	230.56		169.14	100.86	121.4			69.6	57.9		
	50°	263.74	238.74	25	167.65	102.35	137.0		77	77.8	59.6	0°	
	55°	260.74	235.74		180.94	89.06	137.6			87.2	71.4		

Spring Force									
Slide stroke S	Working force KN (tonf)		Spring load N (kgf)			Total weight kg	Catalog No.	W	Θ
	Standard Working force	Max. working force	Preload	5mm before bottom dead center	Max. load				
32.1	88.3(9.0)	132.4(13.5)	636(64.9)	3991(407.0)	4611(470.2)	45.4	PCU-CS2	150	00°
32.3				3999(407.8)		45.9			05°
38.9				4102(418.3)		44.4			10°
39.7				4110(419.1)		44.9			15°
46.1				4182(426.4)		43.2			20°
47.8				4198(428.0)		43.7			25°
54.3				4245(432.9)		42.2			30°
57.4				4261(434.5)		42.7			35°
64.3				4301(438.6)		41.0			40°
69.6				4325(441.0)		41.4			45°
77.8				4357(444.2)		40.5			50°
87.2				4380(446.7)		40.9			55°

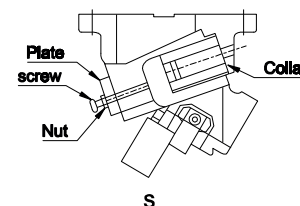
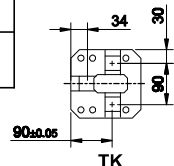
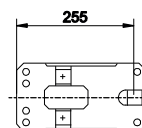
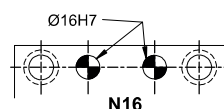
**Order Type - Code-Size(W)-Θ**

**Example - PCU-CS2-150-00**



### Alternations-

Option Code(OC)	Specifications
K	Dedicated key is Attached for cam driver.
N16	The Dowel Pin holes for the cam holder and cam driver are changed to ø16H7
S	Home Position Bolt / Nut / Collar are included.
TK	Dedicated key is Attached for cam holder (T-shaped) and cam driver.



**Order Type:- Code-Size(W)-Θ-OC**

**Example:- PCU-CS2-150-00-K**