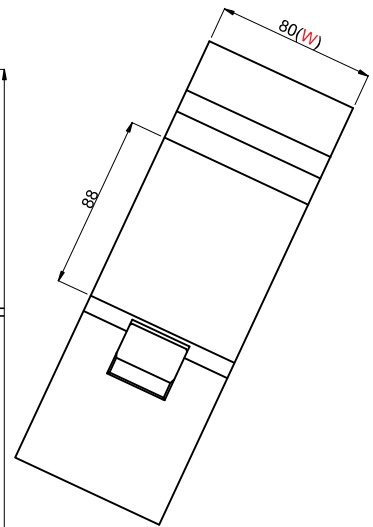
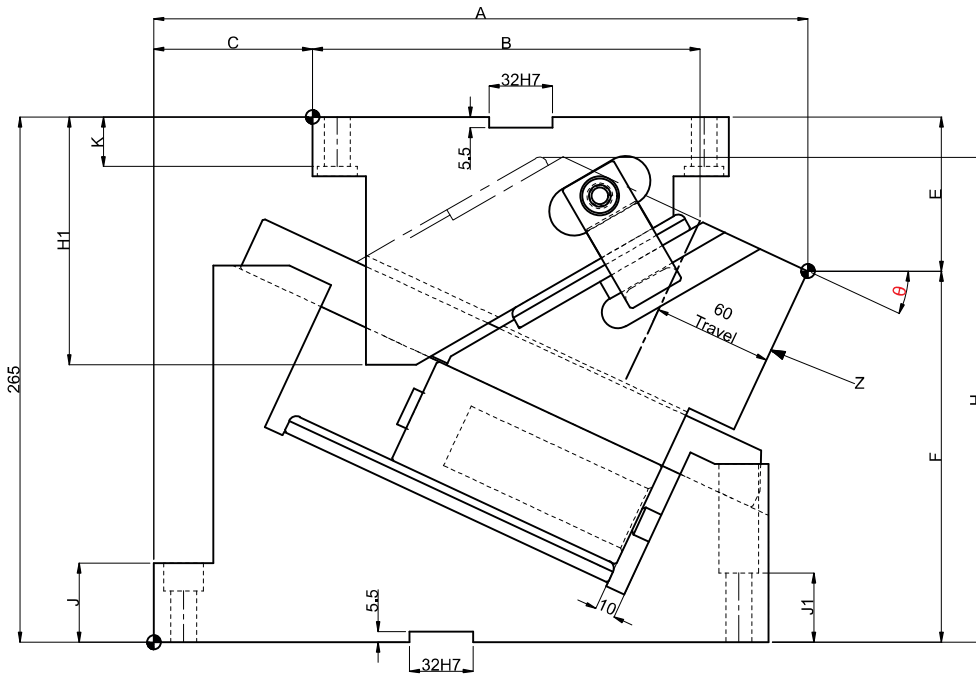
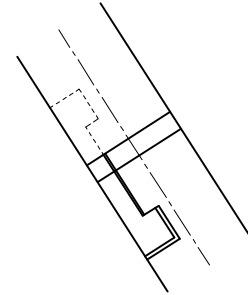
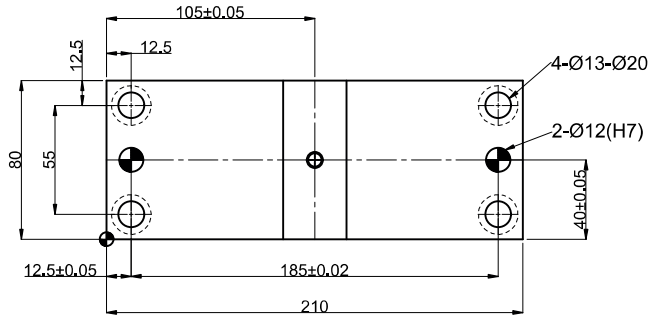
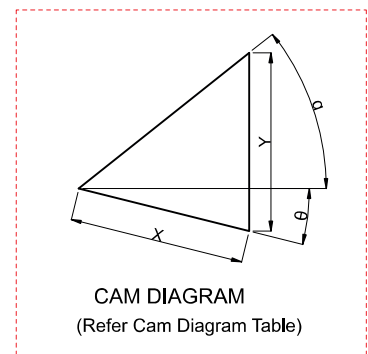
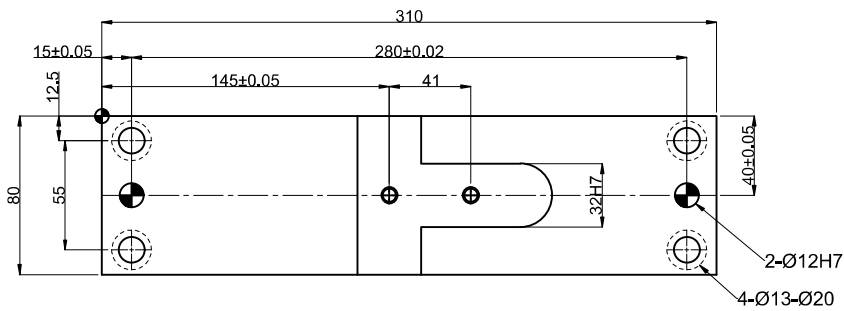


► Cam Unit - PCU-CS10-80-(00-30)



Z-View



► Cam Unit - PCU-CS10-80-(00-30)

Cam Dimensions											Cam Diagram		
W	θ	A	B	C	E	F	H	J1	J	K	X	Y	α
80	00°	235	285	50	55	210	210	35	40	25	60	85.7	55°
	05°	238.32	293.32	55	56.97	208.03	218.6	35	40	25	60	76.5	50°
	10°	248.17	303.17	55	60.26	204.74	226.6	35	40	25	60	69.5	45°
	15°	252.6	312.6	60	64.85	200.15	233.1	35	40	25	60	64.2	40°
	20°	251.51	321.51	70	70.68	194.32	238.1	35	40	25	60	60	35°
	25°	249.78	329.77	80	77.73	187.26	241.7	35	40	25	60	56.8	30°
	30°	247.31	332.31	85	85.95	179.05	243.7	35	40	25	60	54.2	25°

Spring Force							
Slide Stroke S	Working force KN (tonf)	Coil Spring load N (kgf)		Total weight kg	Catalog Code	W	θ
	Max. working force	Preload	Max. load				
60	35.3 (3.6)	157.6 (16.0)	1339.6 (136.0)	33.2	PCU-CS10	80	00°
				33.5			05°
				34.4			10°
				35.1			15°
				35.6			20°
				36.3			25°
				36.7			30°

Order Type:- CODE-SIZE(W)- θ

Example:- PCU-CS10-80-10

Alternations-	
Option Code (OC)	Specifications
K	Key attached for holder.(It is not assembled to the main unit)
KA	Metric key attached for holder.(It is not assembled to the main unit)
N13	Dowel pin holes of cam holder and cam driver has changed to ϕ 13H7.

Order Type:- CODE-SIZE(W)- θ -OC

Example:- PCU-CS10-80-10-K