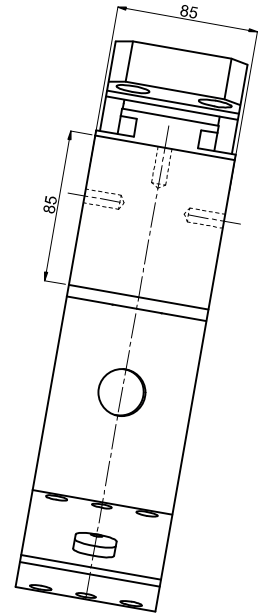
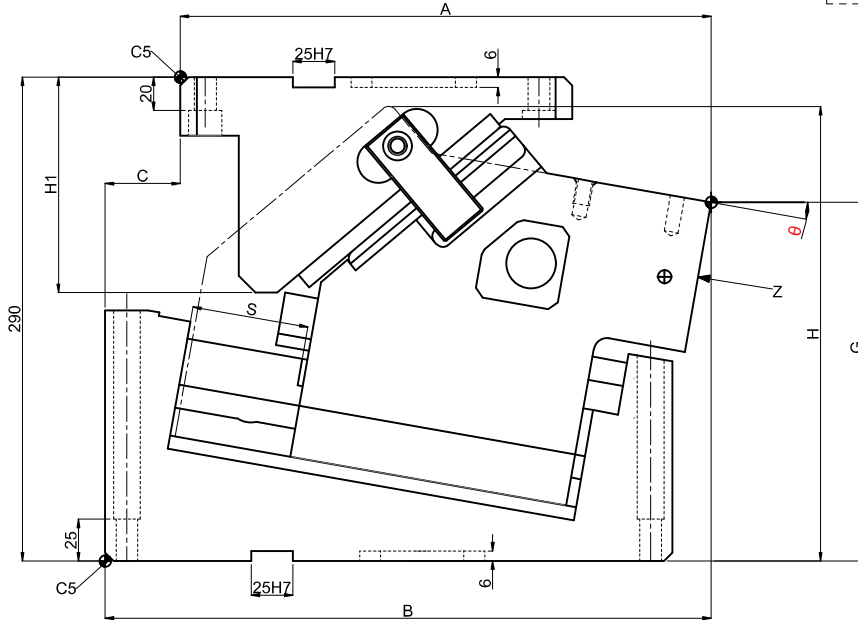
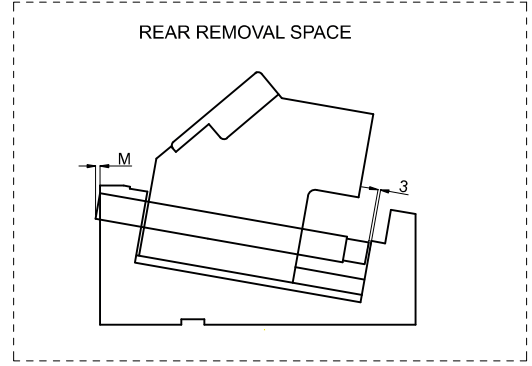
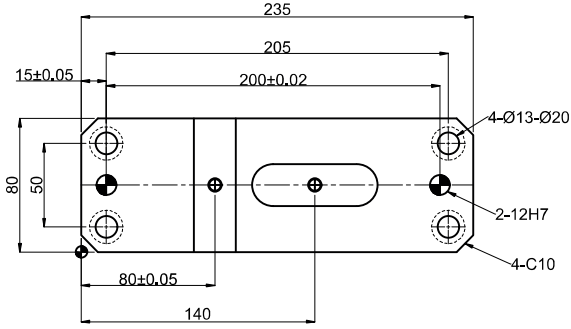
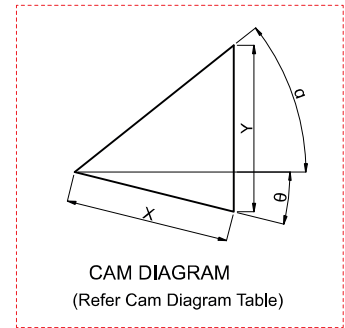
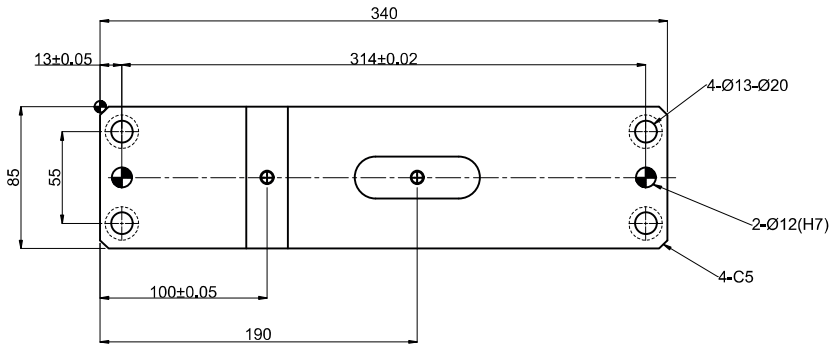


► Cam Unit - PCU-CS-11-85-(00-20)



Z-View



CAM DIAGRAM
(Refer Cam Diagram Table)

► Cam Unit - PCU-CS-11-85-(00-20)

Cam Dimensions								Cam Diagram		
W	θ	A	B	C	F	G	H	X	Y	α
85	00°	325	340	15	158.4	235.00	258.4	108.9	83.4	50°
	05°	324.32	354.3	30	146.6	225.40	265.9	98.6	75.8	45°
	10°	318.20	363.2	45	134.9	215.01	272.4	90	70	40°
	15°	316.58	371.6	55	122.6	204.86	278.7	82.5	65.5	35°
	20°	309.39	379.4	70	109.6	195.01	284.7	76	61.9	30°

Spring force						
Working force KN (tonf)	Cam Slider	Gas spring (standard)	Total weight kg	Catalog Code	W	θ
Max. working force	Weight kg	Max. force N(kgf)				
58.8(6.0)	18.8	3500(357.1)	44.6	PCU-CS11	85	00°
			44.8			05°
			45.1			10°
			45.9			15°
			46.8			20°

Gas spring (Standard)	
Gas spring Load N(kgf)	Model Spring
Max.load	N-FORCE
3500(357.1)	NFS-S4-250-80

Gas spring (Power option "v")	
Gas spring Load N(kgf)	Model Spring
Max.load	N-FORCE
7100(724.5)	NFS-S1-500-80

Order Type:- CODE-SIZE(W)-θ

Example:- PCU-CS11-85-10

Alternations-	
Option Code (OC)	Specifications
K	Dedicated key is attached.(It is not assembled to the main unit)
SC	The mount surface is extended forward in the range of 1 to 40 mm (in increments of 1 mm)
NF	Nitrogen gas is not charged.
V	Gas spring is changed to Power type.

Order Type:- CODE-SIZE(W)-θ-OC

Example:- PCU-CS11-85-10-K