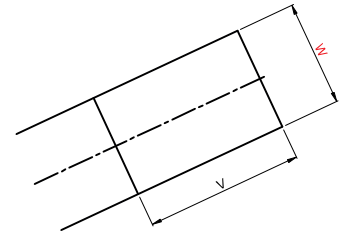
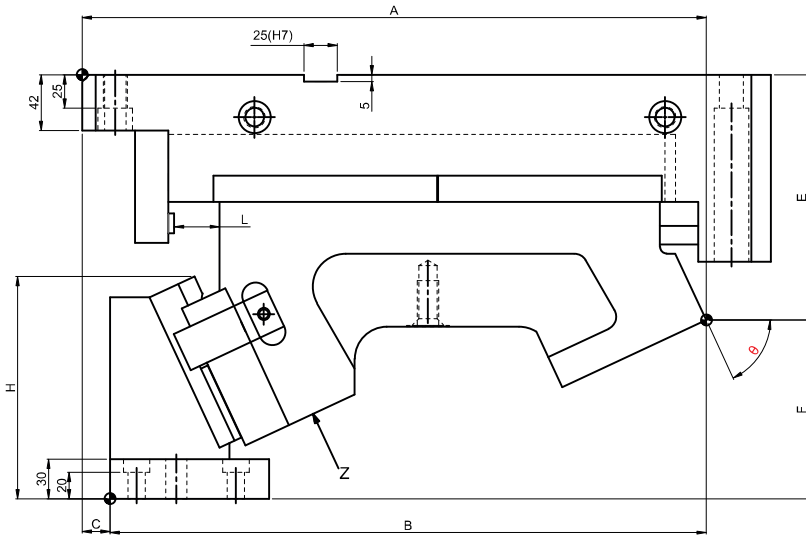
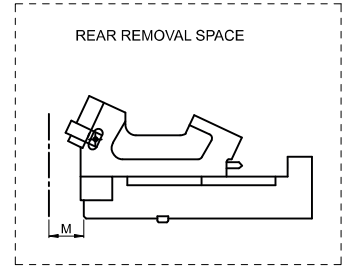
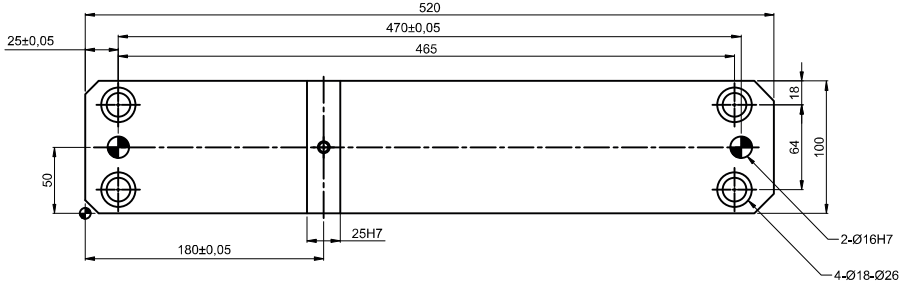
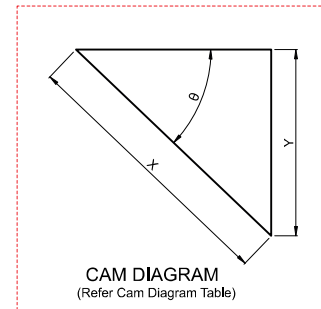
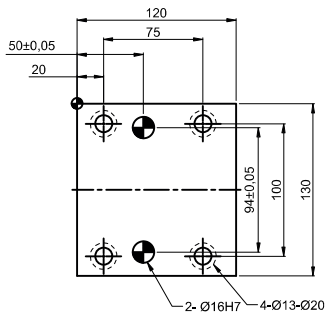


Cam Unit - PCU-CS6.1-80-(50-80)



Z-View



CAM DIAGRAM
(Refer Cam Diagram Table)