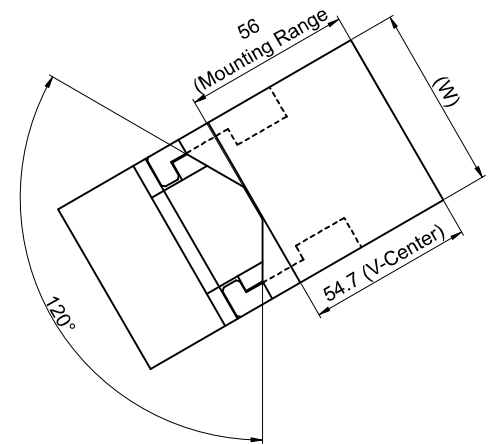
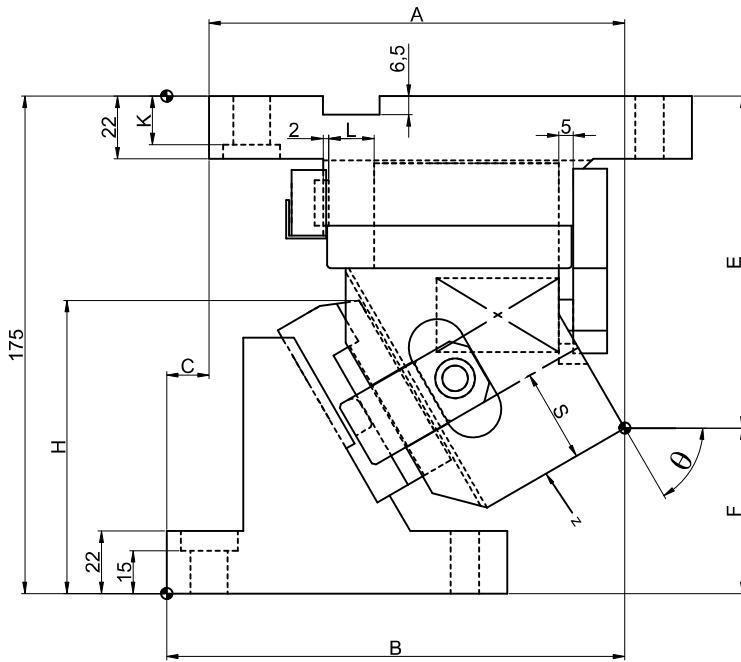
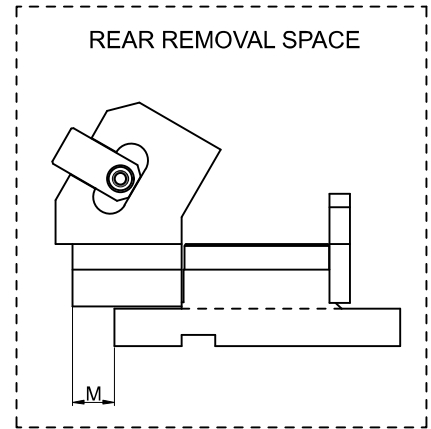
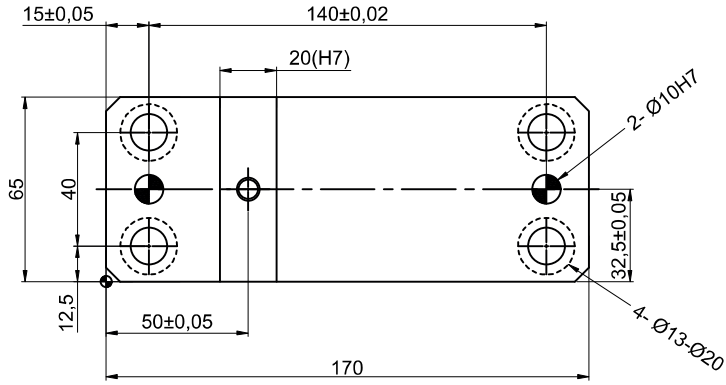
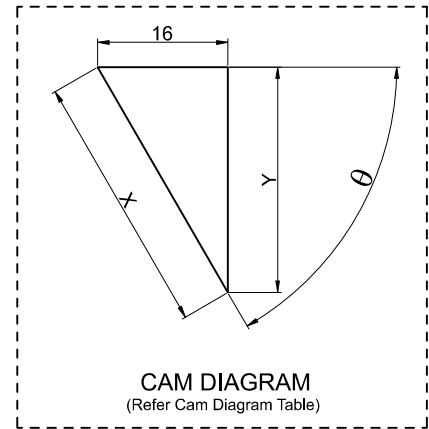
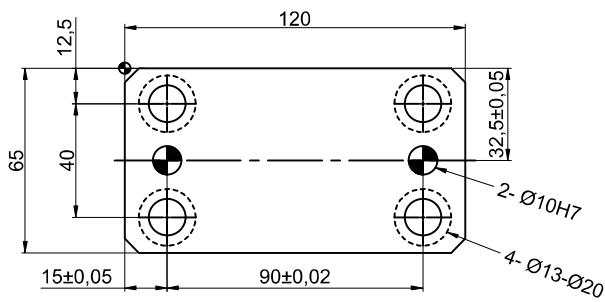


# Cam Unit - PCU-CS-14-65-(60)



Z - View



## ► Cam Unit - PCU-CS-14-65-(60)

Cam Dimensions											Cam Diagram		
W	$\theta$	A	B	C	E	F	H	K	L	M	X	Y	$\alpha$
65	60°	170	161.29	15	116.78	58.22	103.1	15	16	40	27.7	16	00°

Spring Force									
Slide Stroke S	Working force KN (tonf)		Spring load N (kgf)			Total weight kg	Catalog No.	W	$\theta$
	Standard working force	Max. working force	Preload	5mm before bottom dead center	Max. load				
32.0	29.4(3.0)	58.8(6.0)	246(25.1)	722(73.6)	810(82.6)	11.1	PCU-CS14	65	60°

Order Type:-Code-Size(W)- $\theta$   
 Example:-PCU-CS14-65-60

Alternations:-	
Option Code(OC)	Specification
K	Add 3 locating key (With 1 hexagon socket head cap screw M8x15)

Order Type:-Code-Size(W)- $\theta$ -OC  
 Example:-PCU-CS14-65-60-K