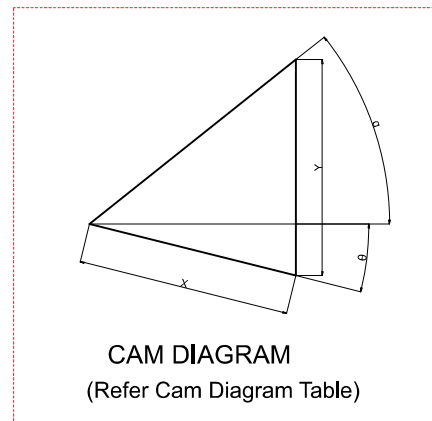
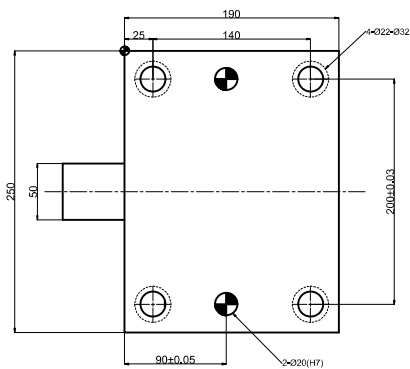
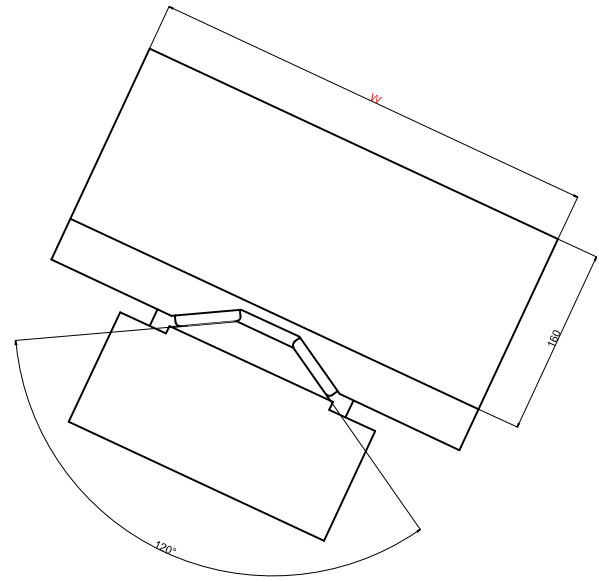
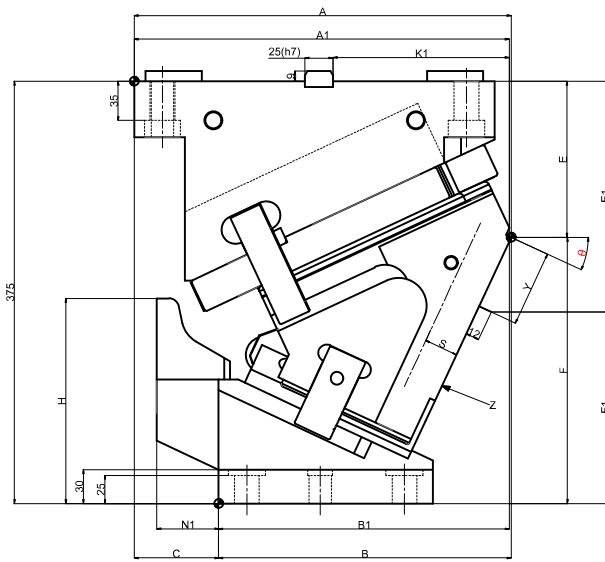
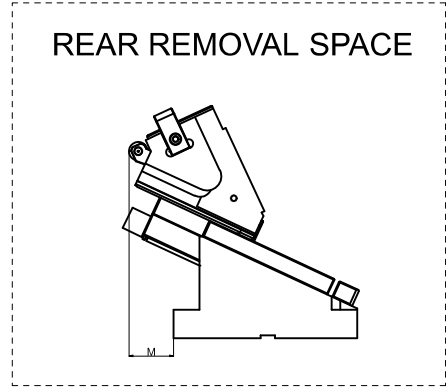
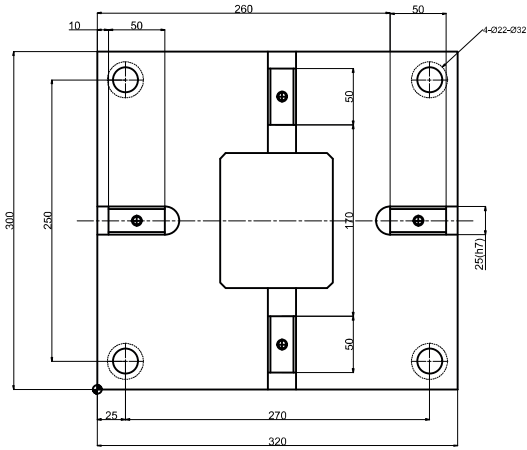


► PCU-CS-15-300-400(00-45)



► PCU-CS-15-300-400(00-45)

| Cam Dimensions | | | | | | | | | | | | | | Cam Diagram | | | | |
|----------------|-----|--------|--------|--------|--------|-----|--------|-----|--------|-----|-------|-------|----|-------------|-----|------|------|-----|
| W | θ | A | A1 | B | B1 | C | E | E1 | F | F1 | H | K1 | N1 | y | m | X | Y | α |
| 300 400 | 00° | 313 | 325 | 175 | 187 | 138 | 98 | 180 | 277 | 195 | 114 | 193 | 55 | 82 | 45 | 38.6 | 46 | 50° |
| | 05° | 317.15 | 322.13 | 192.15 | 197.13 | 125 | 104.18 | 185 | 270.82 | 190 | 127 | 182.5 | | 80.07 | 59 | 42.6 | 46.1 | 45° |
| | 10° | 324.13 | 322.54 | 209.13 | 207.54 | 115 | 111.86 | 190 | 263.14 | 185 | 139 | 172 | | 77.23 | 67 | 46.7 | 46.7 | 40° |
| | 15° | 325.82 | 318.41 | 225.82 | 218.41 | 100 | 121.01 | 195 | 253.99 | 180 | 152 | 161.5 | | 73.39 | 77 | 50.9 | 47.6 | 35° |
| | 20° | 327.08 | 314.95 | 242.08 | 229.95 | 85 | 131.59 | 200 | 243.41 | 175 | 164 | 151 | | 68.43 | 85 | 55.3 | 48.9 | 30° |
| | 25° | 334.71 | 317.01 | 259.71 | 242.01 | 75 | 138.65 | 205 | 236.35 | 170 | 182 | 140.5 | 50 | 67.61 | 88 | 60 | 50.7 | 25° |
| | 30° | 327.83 | 302.37 | 272.83 | 247.37 | 55 | 146.89 | 215 | 228.11 | 160 | 152 | 130 | 45 | 71.72 | 108 | 65.1 | 53.1 | 20° |
| | 35° | 334.51 | 303.07 | 289.51 | 258.07 | 45 | 159.17 | 225 | 215.83 | 150 | 159.7 | 121 | 35 | 71.97 | 113 | 70.8 | 56.1 | 15° |
| | 40° | 325.46 | 284.32 | 300.46 | 259.32 | 25 | 167.3 | 235 | 207.7 | 140 | 167.7 | 112 | 30 | 78.3 | 129 | 77.1 | 60 | 10° |
| | 45° | 324.84 | 276.04 | 317.84 | 269.04 | 7 | 179.23 | 245 | 195.77 | 130 | 178.3 | 103 | | 81.01 | 134 | 84.5 | 65 | 5° |

| Spring Force | | | | | | | |
|----------------|-------------------------|-----------------|-------|--------------|------------|-----|--------------------------|
| Slide Stroke S | Working force KN (tonf) | Total weight kg | | Catalog Code | W | θ | Spring Code |
| | | W=300 | W=400 | | | | |
| 38.6 | 451.1(46.0) | 153.2 | 160.2 | PCU-CS15 | 300 400 | 00° | GK ISO NGK NISO |
| 42.6 | | 152.5 | 159.5 | | | 05° | |
| 46.7 | | 151.4 | 158.4 | | | 10° | |
| 50.9 | | 154.1 | 161.1 | | | 15° | |
| 55.3 | | 148.2 | 155.2 | | | 20° | |
| 60.0 | | 150.2 | 157.3 | | | 25° | |
| 65.1 | | 147.3 | 154.3 | | | 30° | |
| 70.8 | | 148.0 | 155.0 | | | 35° | |
| 77.1 | | 146.2 | 153.3 | | | 40° | |
| 84.5 | | 148.6 | 155.6 | | | 45° | |

| Spring type | | | | | | |
|-------------|----------------------|---------------------|-------------|-------------------------------|-------------|-------------------------------------|
| Spring Code | Spring specification | Spring load N (kgf) | | | Max. load | Remarks |
| | | θ | Preload | 5mm before bottom dead center | | |
| GK | K500-80 | | | | 6125(625) | Gas Spring |
| ISO | φ 50x203 | 0 | 1314(134.0) | 8173(833.4) | 9198(937.9) | Coil Spring (Constant=19.6 N/mm) |
| | | 5 | | 8278(844.1) | | |
| | | 10 | | 8357(852.2) | | |
| | | 15 | | 8423(858.9) | | |
| | | 20 | | 8488(865.6) | | |
| | | 25 | | 8541(870.9) | | |
| | | 30 | | 8594(876.3) | | |
| | | 35 | | 8646(881.7) | | |
| | | 40 | | 8686(885.7) | | |
| | | 45 | | 8738(891.0) | | |
| NGK | | | | | | Without gas Spring |
| NISO | | | | | | Without gas Spring |

Order Type:- CODE-SIZE(W)-θ

Example:- PCU-CS15-300-00

| Alternations- | |
|------------------|--------------------------------------|
| Option Code (OC) | Specifications |
| N | φ16mm dowel hole provided in holder. |
| N20 | φ20mm dowel hole provided in holder. |
| NF | Nitrogen gas not charged. |

Order Type:- CODE-SIZE(W)-θ-OC

Example:- PCU-CS15-300-00-NF