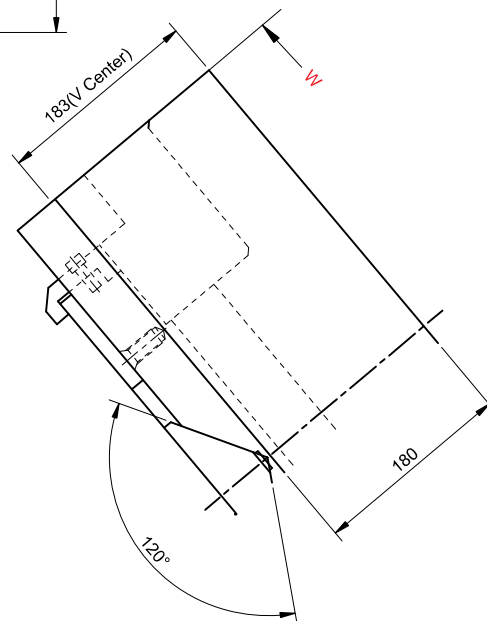
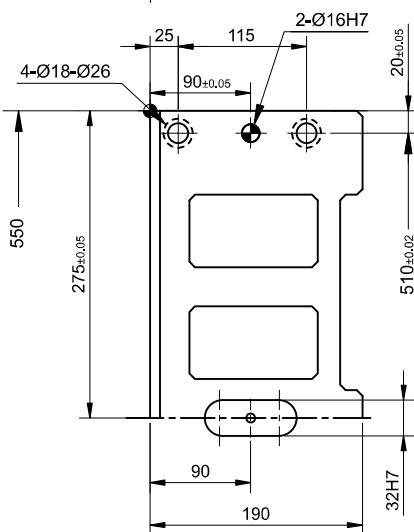
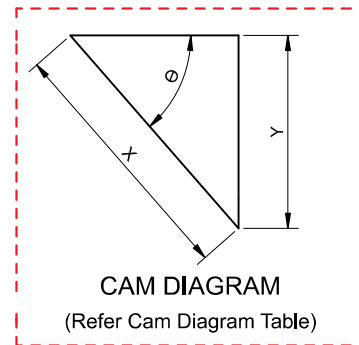
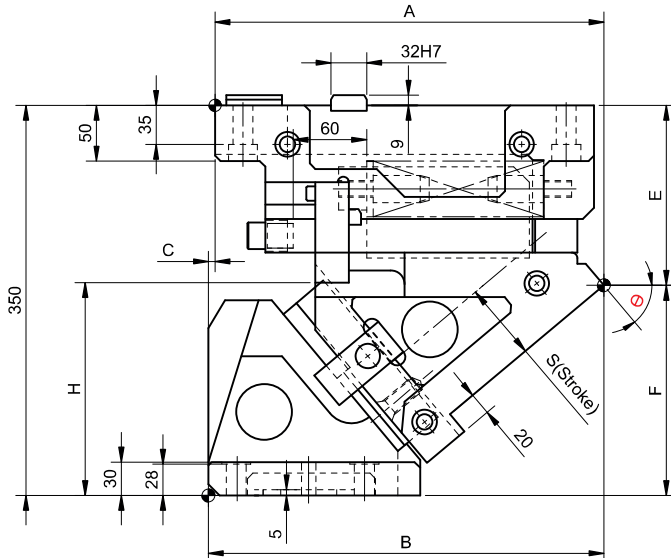
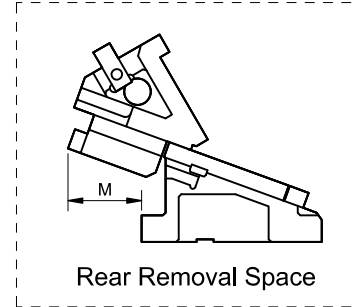
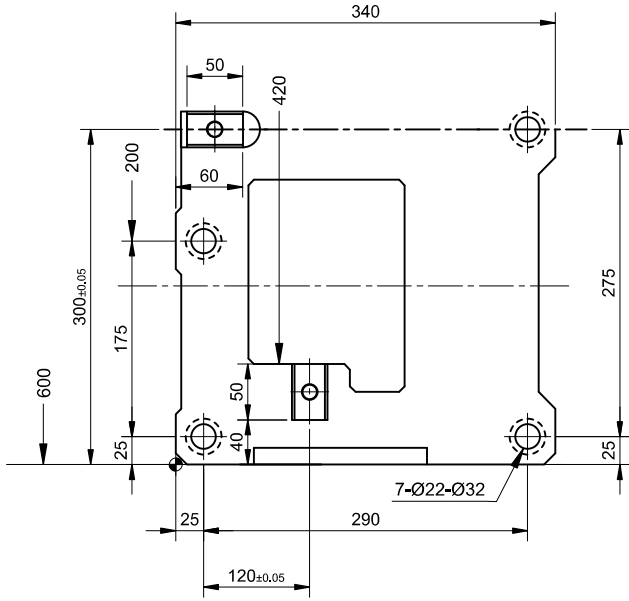


► Cam Unit - PCU-CS4-600(50-60)



(Refer Cam Dimension Table)

► Cam Unit - PCU-CS4-600(50-60)

| Cam Dimension | | | | | | | | | Cam Diagram | | |
|---------------|----------|--------|--------|----|--------|--------|-------|-----|-------------|-------|----------|
| W | θ | A | B | C | E | F | H | M | X | Y | α |
| 600 | 50° | 348.77 | 354.77 | 6 | 161.49 | 188.51 | 192.8 | 126 | 93.3 | 71.5 | 0° |
| | 60° | 332.75 | 377.75 | 45 | 195.83 | 154.17 | 202.1 | 152 | 120 | 103.9 | |

| Spring Force | | | | | | | | | |
|----------------|-------------------------|--------------------|---------------------|-------------------------------|---------------|-----------------|--------------|-----|----------|
| Slide Stroke S | Working force KN (tonf) | | Spring load N (kgf) | | | Total weight kg | Catalog code | W | θ |
| | Standard working force | Max. working force | Preload | 5mm before bottom dead center | Max. load | | | | |
| 93.3 | 392.3(40.0) | 783.6(79.9) | 3269(333.3) | 18741(1911.1) | 19613(1999.9) | 283.5 | PCU-CS4 | 600 | 50° |
| 120.0 | | | | 18932(1930.5) | | 295.6 | | | 60° |

Order Type - Code-Size(W)- θ

Example - PCU-CS4-600-50



Alternations-

| Option Code(OC) | Specifications |
|-----------------|---|
| K | A key for driver is attached.(It is not assembled to the main unit) |
| N | Add Dowel Hole 2- ϕ 16 H7 Dowel Holes On Cam Holder |
| FK | Move Key Position Move Forward The Locating Key On Cam Holder |
| GS | CAM With Gas Spring. NFS-S1-750-63 |

Order Type:- Code-Size(W)- θ -OC

Example:- PCU-CS4-600-50-N

Option Part of N & FK

- Gas Spring Specifications Cannot do FK setting.

