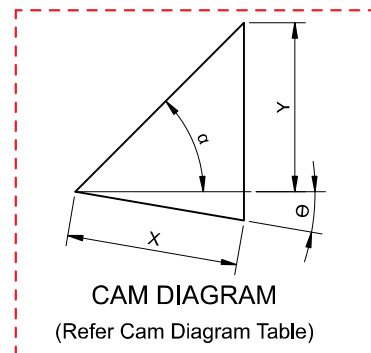
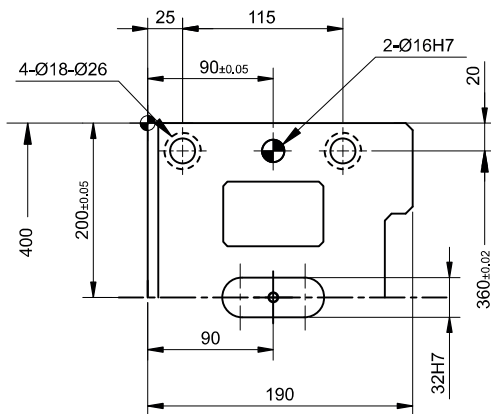
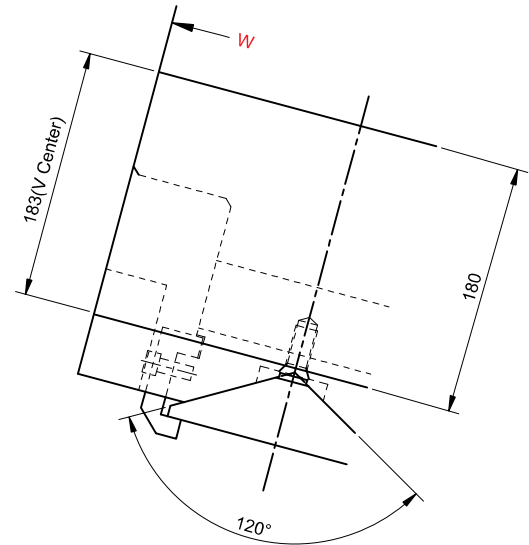
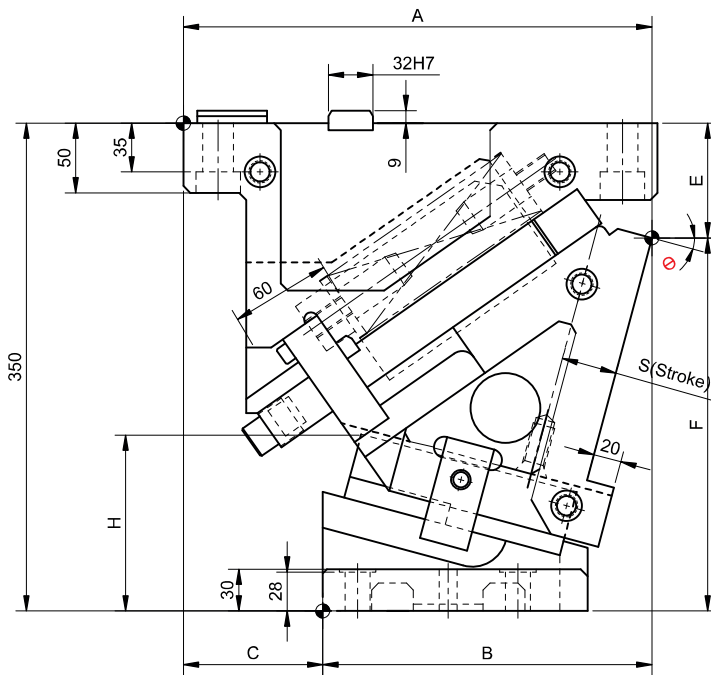
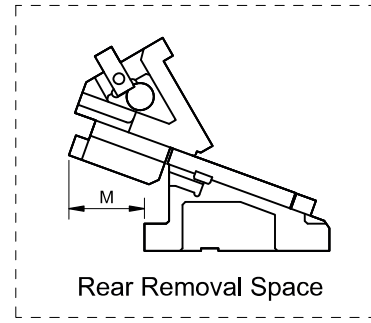
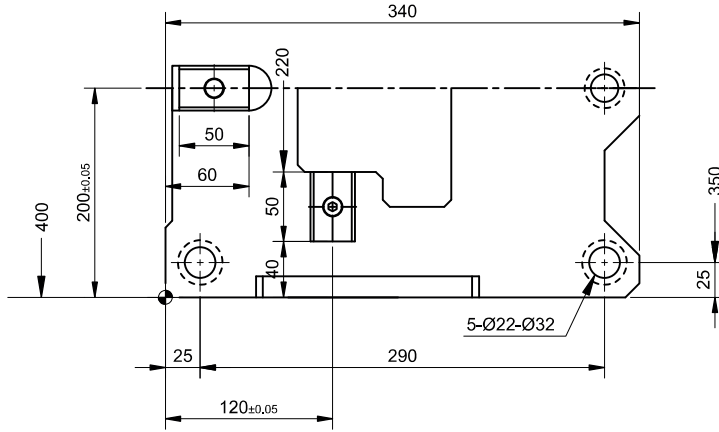


# ► Cam Unit - PCU-CS4-400-(00-40)



(Refer Cam Dimension Table)

## ► Cam Unit - PCU-CS4-400-(00-40)

Cam Dimension									Cam Diagram		
W	$\theta$	A	B	C	E	F	H	M	X	Y	$\alpha$
400	00°	313	175	138	58	292	102	47	38.6	46	50°
	05°	320.64	195.64	125	64.34	285.66	110.8	61	42.6	46.1	45°
	10°	331.08	216.08	115	72.47	277.53	119.1	70	46.7	46.7	40°
	15°	336.17	236.17	100	82.37	267.63	126.8	80	50.9	47.6	35°
	20°	340.76	255.76	85	94	256	133.9	88	55.3	48.9	30°
	30°	347.83	292.83	55	112.25	237.75	155.7	103	65.1	53.1	20°
	40°	351.17	326.17	25	136.66	213.34	173.9	116	77.1	60	10°

Spring Force									
Slide Stroke S	Working force KN (tonf)		Spring load N (kgf)			Total weight kg	Catalog No.	W	$\theta$
	Standard working force	Max. working force	Preload	5mm before bottom dead center	Max. load				
38.6	245.2(25)	490.3(50)	1634(166.7)	8744(891.6)	9806(1000)	191.1	PCU-CS4	400	00°
42.6				8853(902.8)		189.3			05°
46.7				8935(911.1)		188.0			10°
50.9				9003(918)		186.1			15°
55.3				9071(925)		185.3			20°
65.1				9180(936.1)		185.8			30°
77.1				9275(945.8)		191.9			40°

**Order Type - Code-Size(W)- $\theta$**

**Example - PCU-CS4-400-00**



### Alternations-

Option Code(OC)	Specifications
K	A key for driver is attached.(It is not assembled to the main unit)
N	Add Dowel Hole 2- $\phi$ 16 H7 Dowel Holes On Cam Holder
FK	Move Key Position Move Forward The Locating Key On Cam Holder
GS	CAM With Gas Spring. NFS-S1-750-63

**Order Type:- Code-Size(W)- $\theta$ -OC**

**Example:- PCU-CS4-400-00-N**

### Option Part of N & FK

- Gas Spring Specifications Cannot do FK setting.

