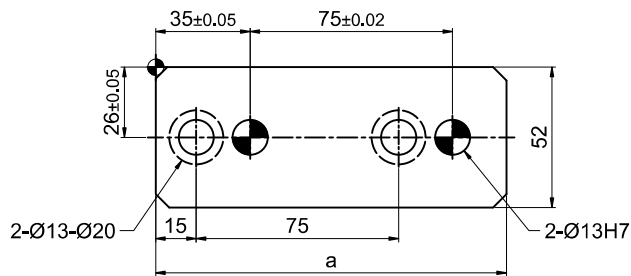
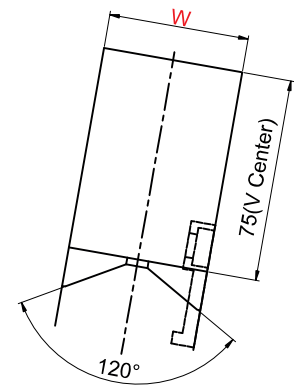
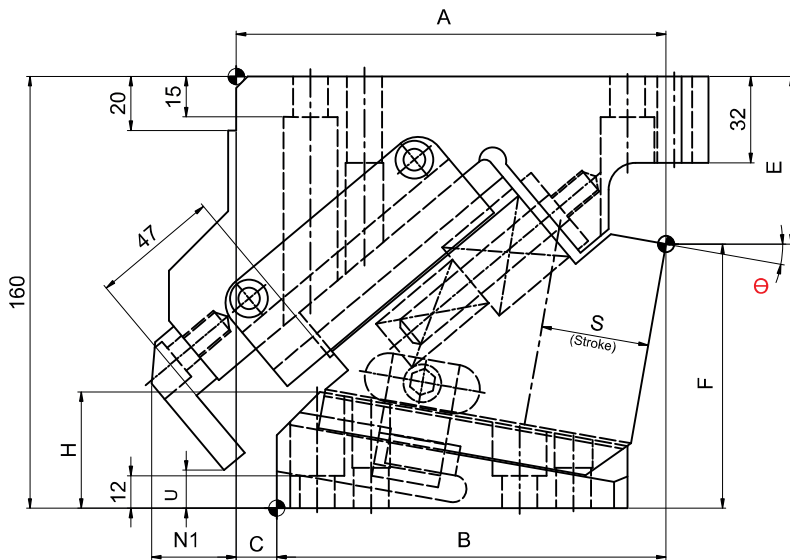
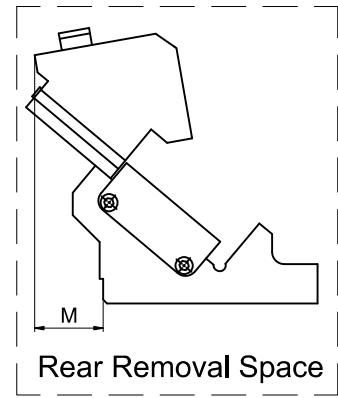
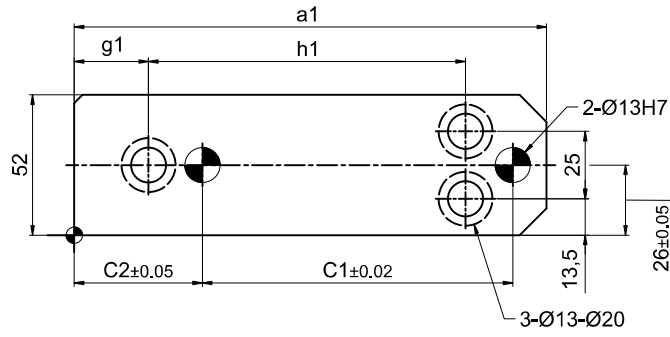
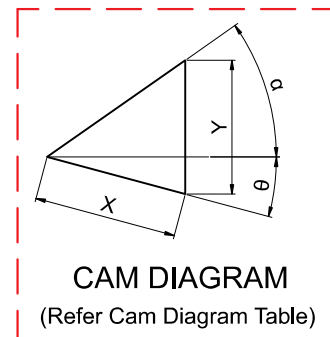


► Cam Unit - PCU-CS5-52-(00-20)



(Refer Cam Dimension Table)



(Refer Cam Diagram Table)

► Cam Unit - PCU-CS5-52-(00-20)

Cam Dimension																	Cam Diagram		
W	θ	A	B	C	E	F	H	N1	U	a	a1	c1	c2	g1	h1	M	X	Y	α
52	00°	160	125	35	42	118	41	21.5	10.73	125						43	30.2	36	50°
	05°	161.1	136.1	25	53.31	106.69	40.1	24.35	13.01		175	115	47.5	27.5	117.5	54	33.4	36.1	45°
	10°	159.28	144.28	15	62.11	97.89	42	31.41	17.9	130						65	36.6	36.6	50°
	15°	168.99	151.49	17.5	66.32	93.68	49	25.48	25.1							64	39.9	37.3	35°
	20°	169.72	169.72	0	76.86	83.14	48	27.07	29.7	140	185	120	52.5	32.5	122.5	69	43.3	38.3	30°

Spring Force									
Slide Stroke S	Working force KN (tonf)		Spring load N (kgf)			Total weight kg	Catalog code	W	θ
	Standard working force	Max. working force	Preload	5 mm before bottom dead center	Max. load				
30.2	29.4(3)	58.8(6)	30(3.1)	1378(140.5)	3111(317.2)	8.8	PCU-CS5	52	00°
33.4				1555(158.6)		8.6			05°
36.6				1689(172.2)		8.7			10°
39.9				1800(183.5)		9.0			15°
43.3				1911(194.9)		8.9			20°

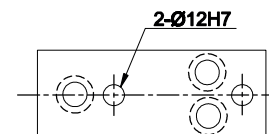
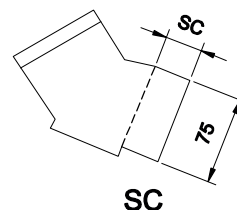
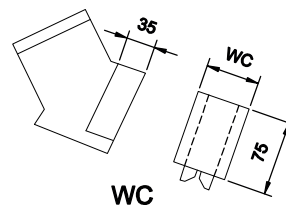
Order Type - Code-Size(W)- θ

Example - PCU-CS5-52-00



Alternations-

Option Code(OC)	Specifications
WC	The mounting surface width (W) is changed within the range 53 mm-120 mm (1mm increments)
SC	The mount surface is extended in the range from 1 to 50 mm (in the increments of 1 mm)
N12	Dowel Pin holes of cam holder and cam driver are changed to $\phi 12H7$



N12

Order Type:- Code-Size(W)- θ -OC

Example:- PCU-CS5-52-00-WC