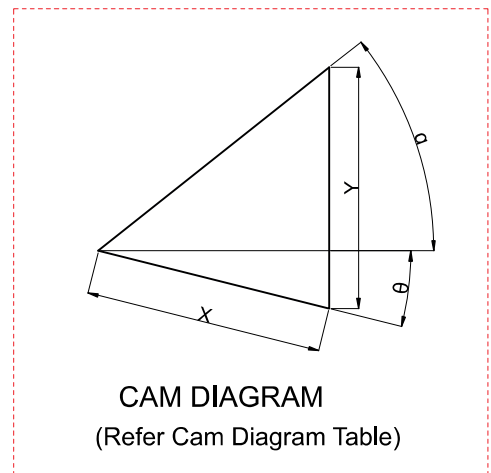
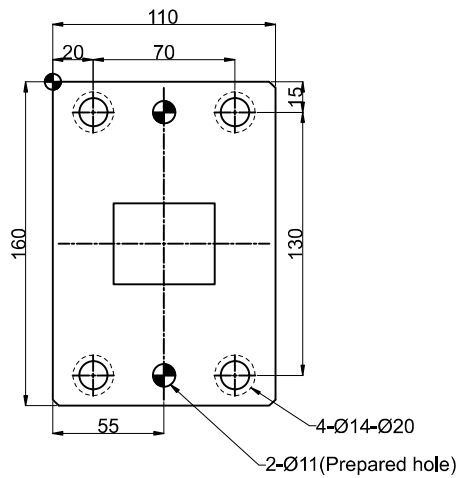
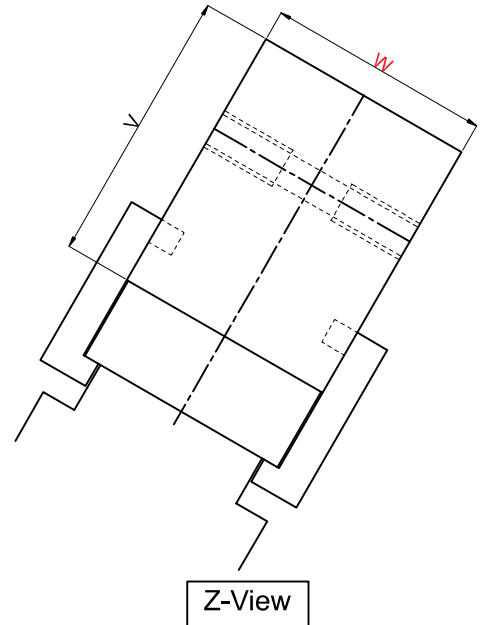
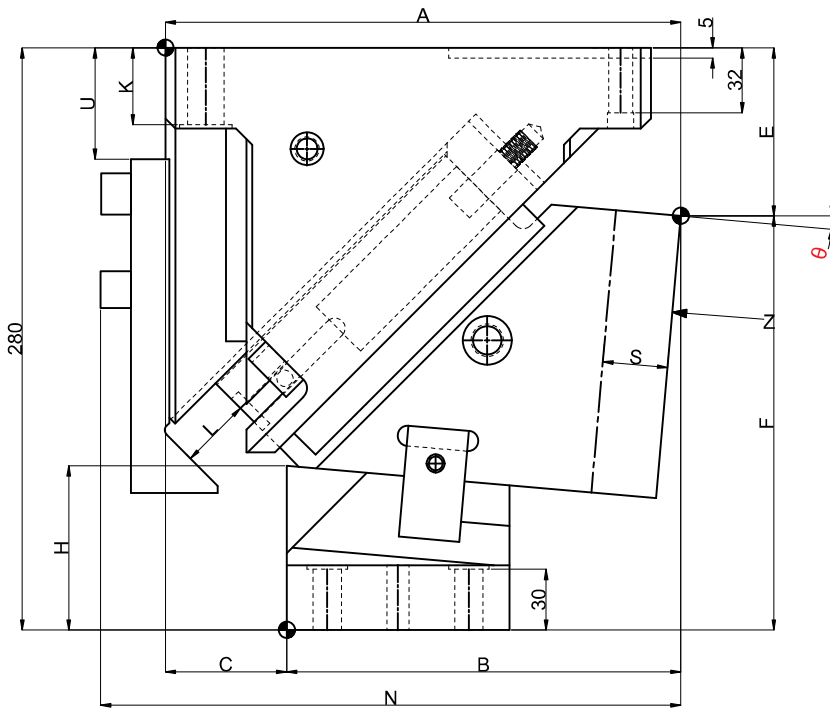
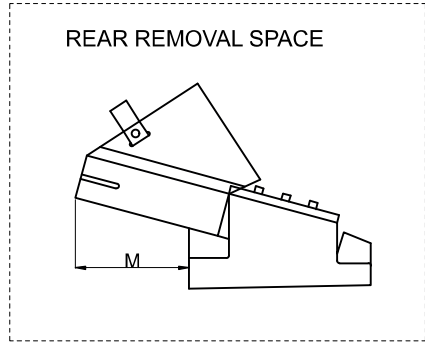
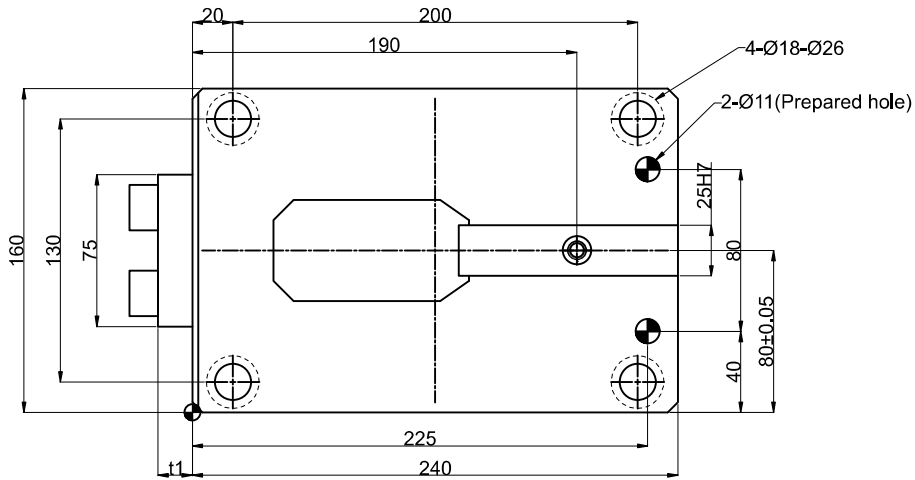


► Cam Unit - PCU-CS8-100-(00-70)



## ► Cam Unit - PCU-CS8-100-(00-70)

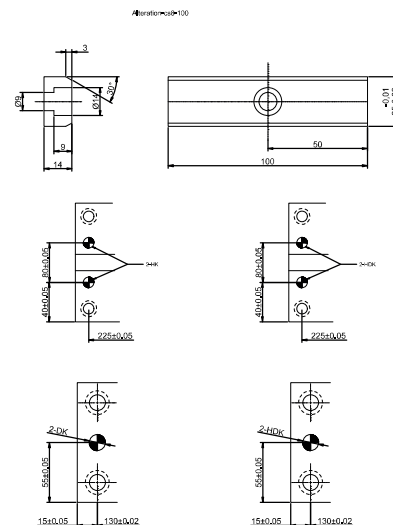
Cam Dimensions														Cam Diagram				
W	θ	A	B	C	E	F	H	K	L	N	V	U	t1	M	X	Y	α	
100	00°	240	180	60	85	195	95	38	40	273	100	55	17	83	28.3	28.3	45°	
	05°	236.89	176.89		73.82	206.18	81.1			269.89	140				28.4	30.8		
	10°	240	180		90	190	120.2			273	100				33.3	28.7	35°	
	15°	254.35	194.35	81.51	198.49	105.6	287.35			140	33.9	31.7						
	20°	240	190	50	110	170	130			32	274	100	15	18	115	30.9	24.1	25°
	25°	253.26	203.26		102.60	177.40	113		287.26		140	32				27		
	30°	240	210	30	110	170	150		20	30	273	120	10	17	126	33.5	24.5	15°
	35°	252.34	222.34		109.69	170.31	140				285.34	140				35.4	28.1	
	40°	240	210		115	165	160				273.00	120				39	27.7	5°
	45°	247.41	217.41	114.68	165.32	155	280.41				120	42.3	32.5					
	50°	240	240	10	120	160	160				272	140	10	16	132	46.7	35.8	0°
	55°			0	145	135	170			52.3						42.8		
	60°			0	145	135	180			60						52		
	65°			0	145	135	180			47.3						42.9		
	70°			0	145	135	180			58.5						54.9		

Spring Force												
Slide Stroke S	Working force KN (tonf)		Spring load N (kgf)			Total weight kg	Catalog No.	W	θ			
	Standard working force	Max. working force	Preload	5mm before bottom dead center	Max. load							
28.3	44.1(4.5)	88.3(9.0)	315(32.1)	2388(243.5)	2835(289.1)	47.0	PCU-CS8	100	00°			
28.4			147(15.0)	2576(262.7)	3091(315.2)	47.8			05°			
33.3				2650(270.2)		44.9		10°				
33.9			176(18.0)	88.3(9.0)	2657(270.9)	2999(305.8)	47.1			15°		
30.9					2540(259.0)		2822(287.8)	44.8		20°		
32.0					2558(260.8)			46.5		25°		
33.5					2426(247.3)		44.1		30°			
35.4					2452(250.0)		45.4		35°			
39.0					2487(253.6)		45.4		40°			
42.3					2514(256.3)		41.7		45°			
46.7			49.0(5.0)	98.1(10.0)	2540(259.0)	2760(281.4)	41.2			50°		
52.3					2567(261.7)		44.0		55°			
60.0					2602(265.3)		42.5		60°			
47.3					552(56.3)		2528(257.8)	2760(281.4)	43.0			65°
58.5							2572(262.3)		41.8		70°	

Order Type:- CODE-SIZE(W)-θ

Example:- PCU-CS8-100-10

Option Code (OC)	Specifications
HK	Finish dowel hole on holder Only 10, 12 or 13 can be specified φ 9(Prepared hole) → φ10H7, φ12H7 or φ13H7
DK	Finish dowel hole on driver Only 10, 12 or 13 can be specified φ 9(Prepared hole) → φ10H7, φ12H7 or φ13H7
HDK	Finish dowel hole on driver & holder Only 10, 12 or 13 can be specified φ 9(Prepared hole) → φ10H7, φ12H7 or φ13H7
K	Add locating key (With 1 hexagon socket socket head cap screw M8 X 15)



Order Type:- CODE-SIZE(W)-θ-OC

Example:- PCU-CS8-100-10-K