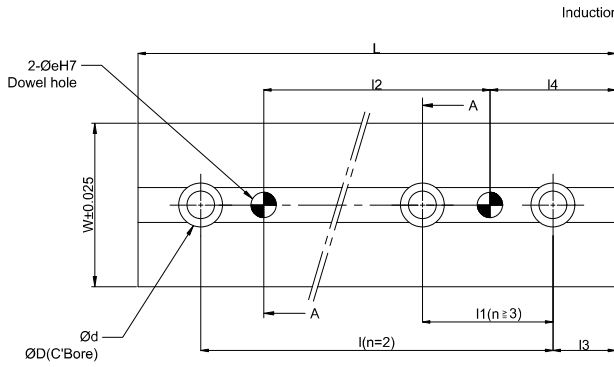
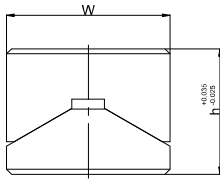
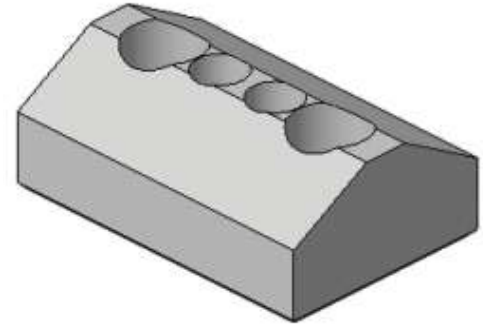


▶ V-GUIDE BLOCK (PCU-CA1)



n is the number of screw hole

Section A-A



l	l1	l2	l3	l4	n (holes)	e	d	D	E	H	T	Catalog No.	W	L
45	-	15	15	30	2	8	9	14	17	4	20	PCU-CA1	35	75
60		20	20	40										100
85		45	20	40										125
110		70	20	40										150
45		15	15	30										75
60	20	20	40	100										
75	25	25	50	125										
100	50	25	50	150										
60	20	20	40	100										
-	50	50	25	50	3	10	11	17.5	44	20	47		PCU-CA1	65
		100		4	200									
		150		5	250									
		200		6	300									

Material : EN8
 Hardness : 55 HRC
 Order Type : PCU-CA1-W-L
 Example : PCU-CA1-35-100