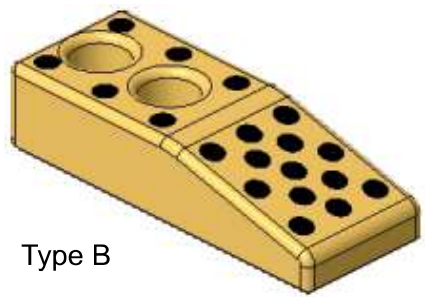
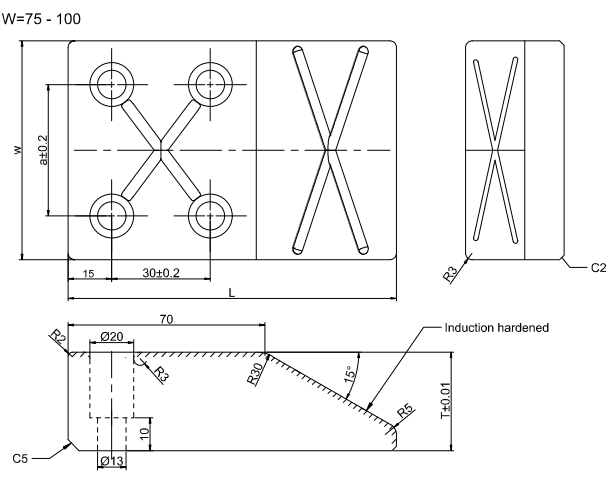
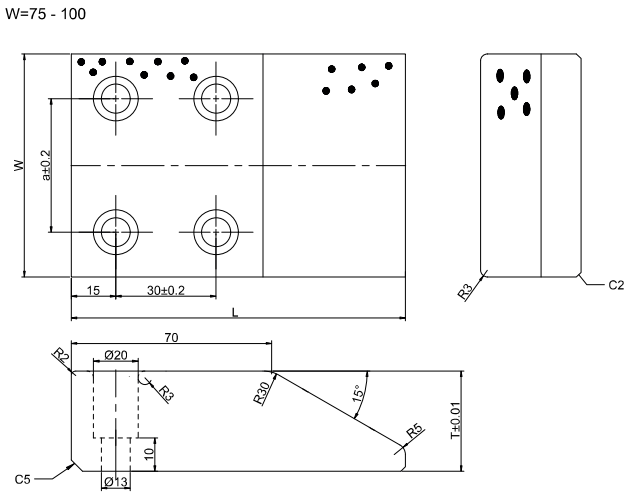
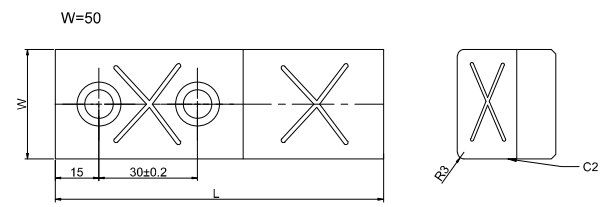
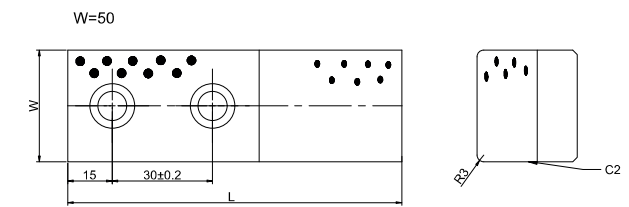
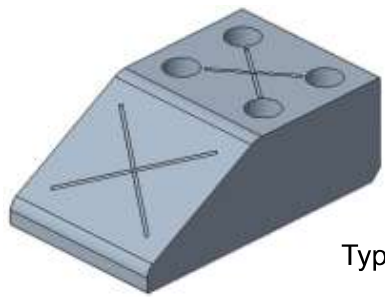


► DWELL PLATE 15° (PCU-CA6)-B,S



Type B



Type S

T	a	Catalog NO.	W	L		
25	-	PCU-CA6	50	110		
30				130		
35				150		
25	40		PCU-CA6	75	110	
30					130	
35					150	
25	60			PCU-CA6	100	110
30						130
35						150

Material : Copper alloy Special solid lubricant (embedded)
 Order Type : PCU-CA6-W-L-Type
 Example : PCU-CA6-75-130-B

Material : En8
 Hardness : 55HRC~(Induction hardened)
 Order Type : PCU-CA6-W-L-Type
 Example : PCU-CA6-75-130-S