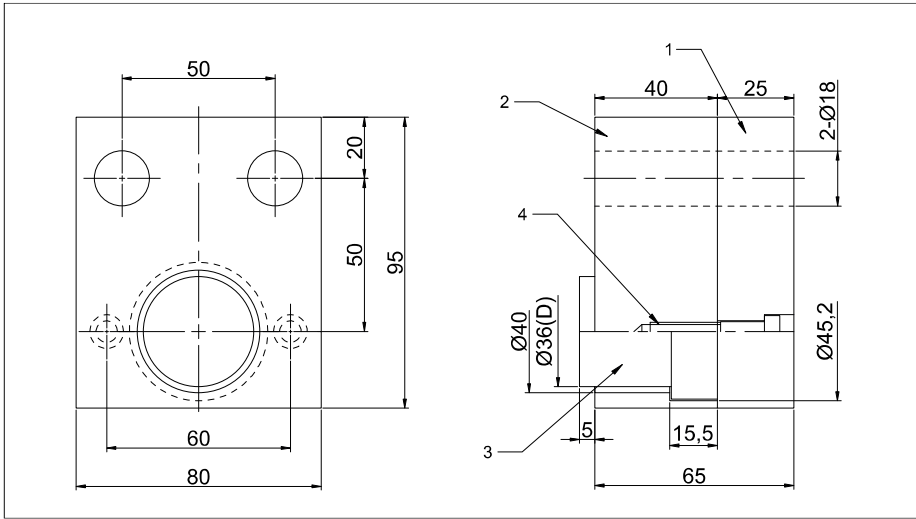


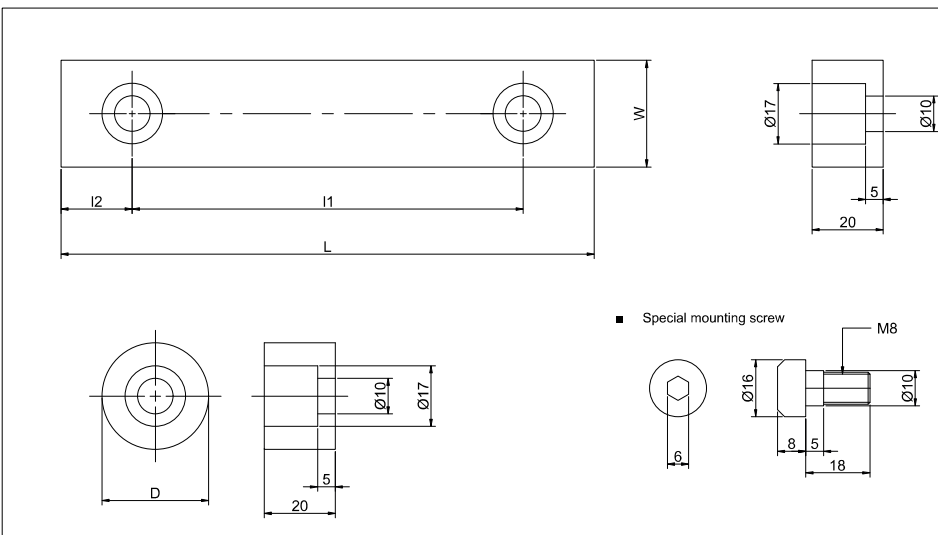
▶ STOPPER (PCU-CA17)



Catalog No.	(D)
PCU-CA17	36

Material : Ms
 Hardness : 33~38HRC
 Order Type : PCU-CA17-D
 Example : PCU-CA17-36

▶ SILENCER (PCU-CA18, 19)



Catalog No.	
Type	D
PCU-CA18	30

I1	I2	Catalog No.		L
		Type	W	
60	20	PCU-CA19	30	100
110				150
140	30			200

Material : Urethane
 Hardness : 33~38HRC
 Order Type : PCU-CA18-D
 Example : PCU-CA18-30

Material : Urethane
 Hardness : 33~38HRC
 Order Type : PCU-CA19-W-L
 Example : PCU-CA19-30-100