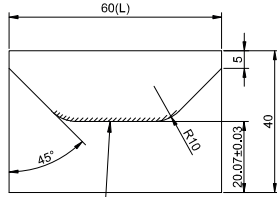
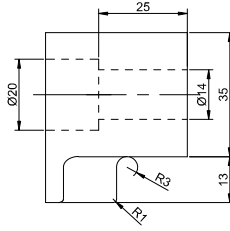
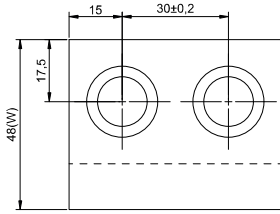
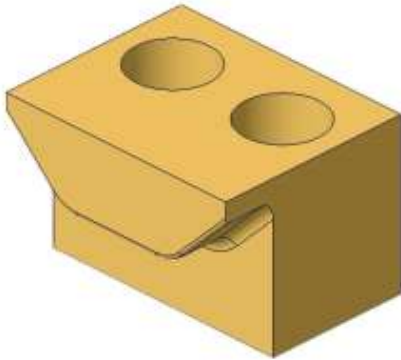


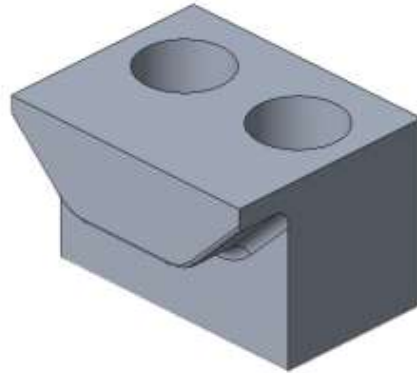
## ▶ POSITIVE RETURN FOLLOWER (PCU-CA25)B,S



INDUCTION HARDENED  
(KMKK)



Type B



Type S

Catalog No.	(W)	(L)
PCU-CA25	48	60

Material : Copper alloy  
Order Type : PCU-CA25-W-L-Type  
Example : PCU-CA25-48-60-B

Material : EN8  
Hardness : 55-58 HRC (Induction Hardened)  
Order Type : PCU-CA25-W-L-Type  
Example : PCU-CA25-48-60-S