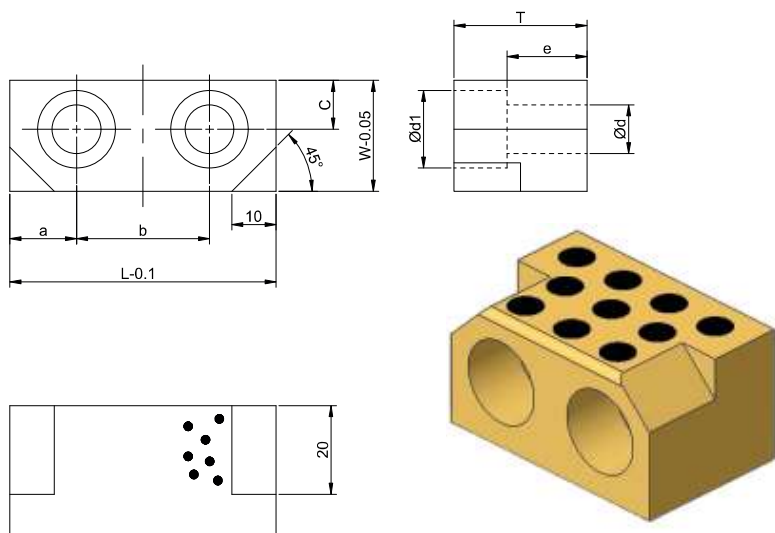


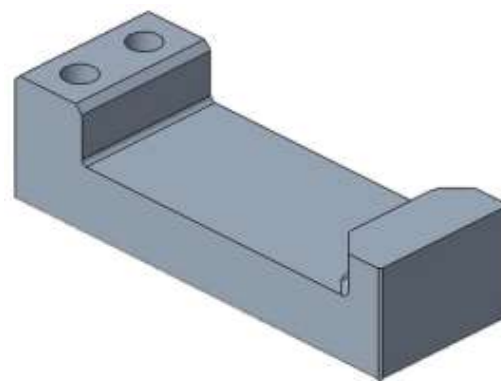
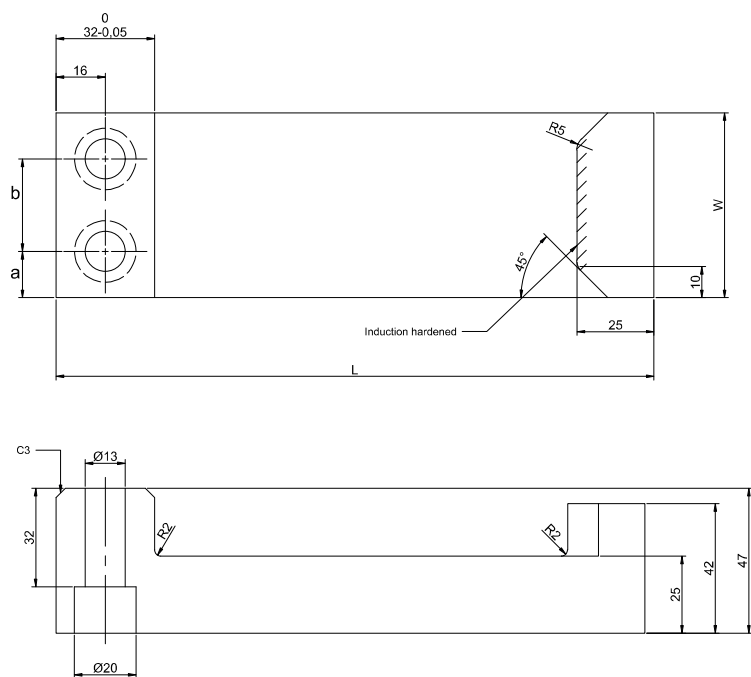
▶ POSITIVE RETURN FOLLOWER (PCU-CA26)B



a	b	c	Ø d	Ø d1	e	T	Catalog No.	W	L
15	30	11	11	17.5	18	30	PCU-CA26	25	60
		16	13	20	23	38		32	60
80									

Material : Copper alloy Special solid lubricant (embedded)
 Order Type : PCU-CA26-W-L
 Example : PCU-CA26-B-25-60

▶ POSITIVE RETURN FOLLOWER (PCU-CA27)S



a	b	Catalog No.	W	L
15	30	PCU-CA27	60	171
				191
20	40		80	171
		191		

Material : EN8
 Hardness : 55HRC~ (Induction hardened)
 Order Type : PCU-CA27-W-L
 Example : PCU-CA27-S-60-191