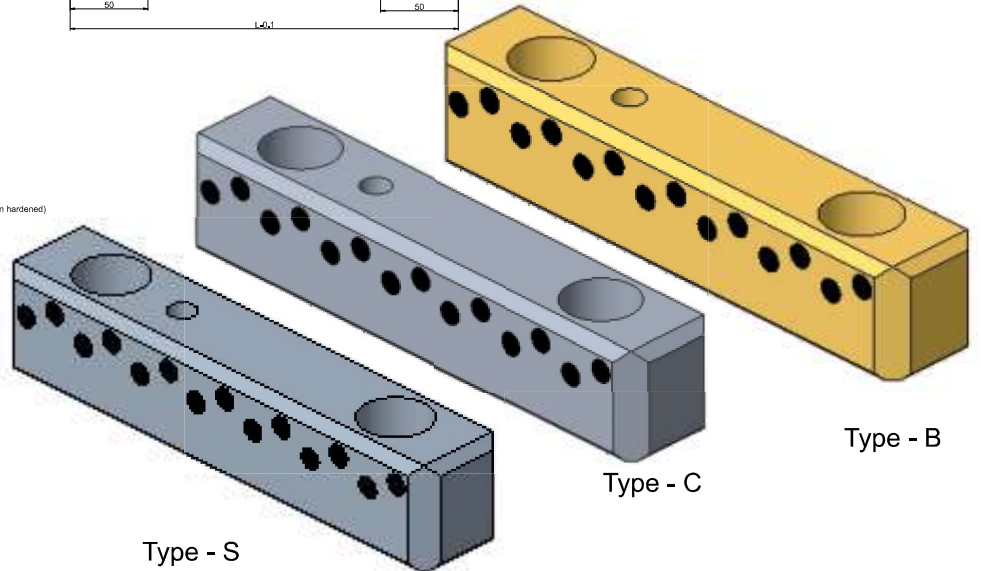
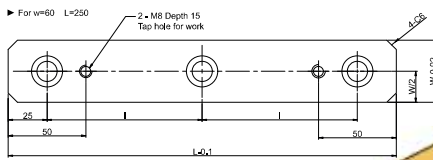
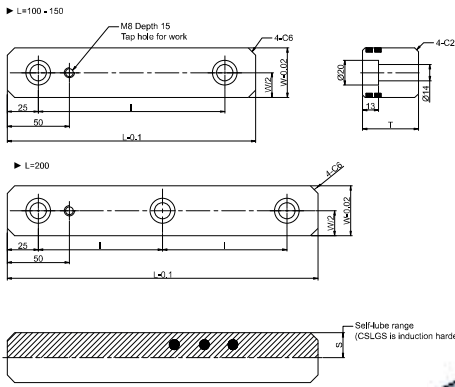


SLIDE GUIDE BLOCK (PCU-CA36)-B,C,S



S	I	Catalog No.	W	L	T
15	50	PCU-CA36 Type S Type C	30	100	30
	100			150	
	75			200	
	100			250	
	125			300	
	150			350	
	50	PCU-CA36 Type S Type C Type B	40	100	30
	100			150	
	75			200	
	100			250	
	125			300	
	150			350	
20	50	PCU-CA36 Type S Type C Type B	40	100	40
	100			150	
	75			200	
	100			250	
	125			300	
25	50	PCU-CA36 Type B	60	100	40
	100			250	
	125			300	
	150			350	

Material : FC260 Special solid lubricant (embedded)
 Order Type : PCU-CA36-W-L-T-Type
 Example : PCU-CA36-30-300-30-C

Material : EN9 Special solid lubricant (embedded)
 Hardness : 40~45HRC
 Order Type : PCU-CA36-W-L-T-Type
 Example : PCU-CA36-30-350-30-S

Material : Copper alloy Special solid lubricant (embedded)
 Order Type : PCU-CA36-W-L-T-Type
 Example : PCU-CA36-40-150-40-B