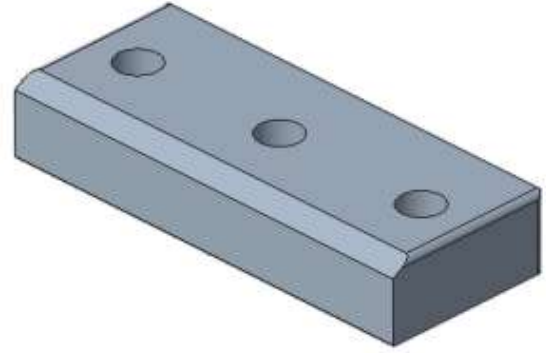
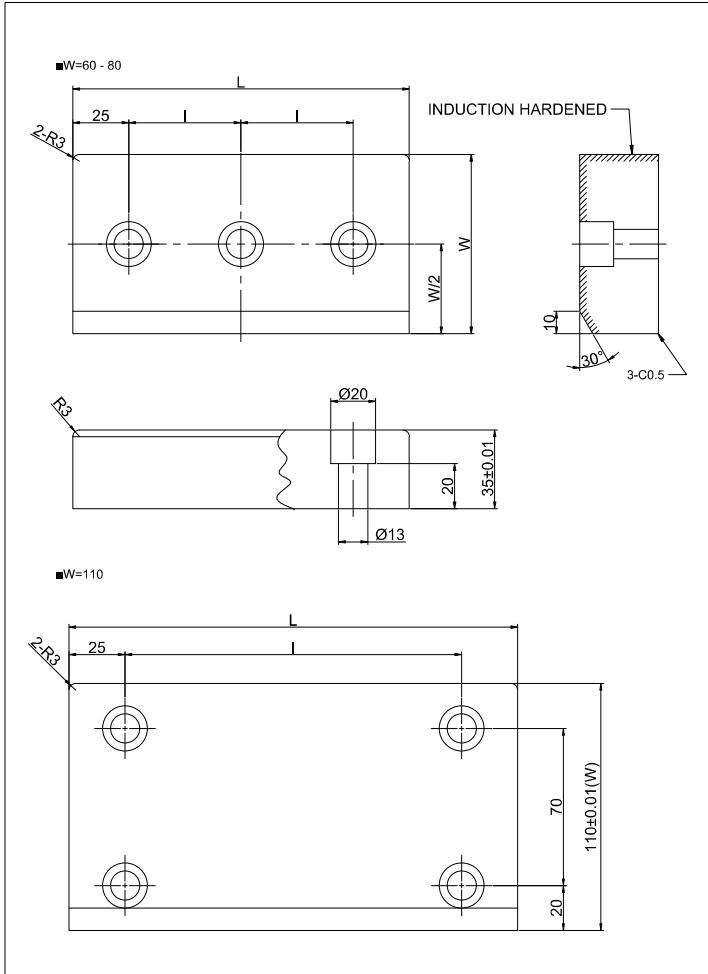


▶ UPPER PLATE (PCU-CA42)-S



I	Catalog No.	W	L
50	PCU-CA42	60	150
75			200
100			250
50		80	150
75			200
100			250
100		110	150
150			200
200			250

Material : EN8
 Hardness : 55 HRC
 Order Type : PCU-CA42-W-L
 Example : PCU-CA42-80-150