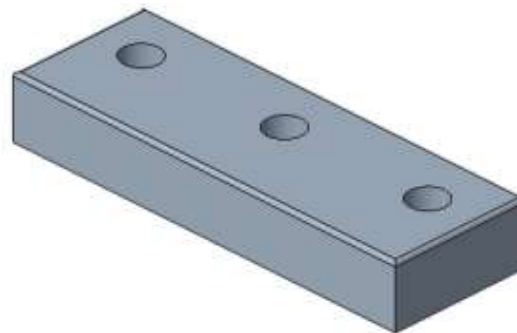
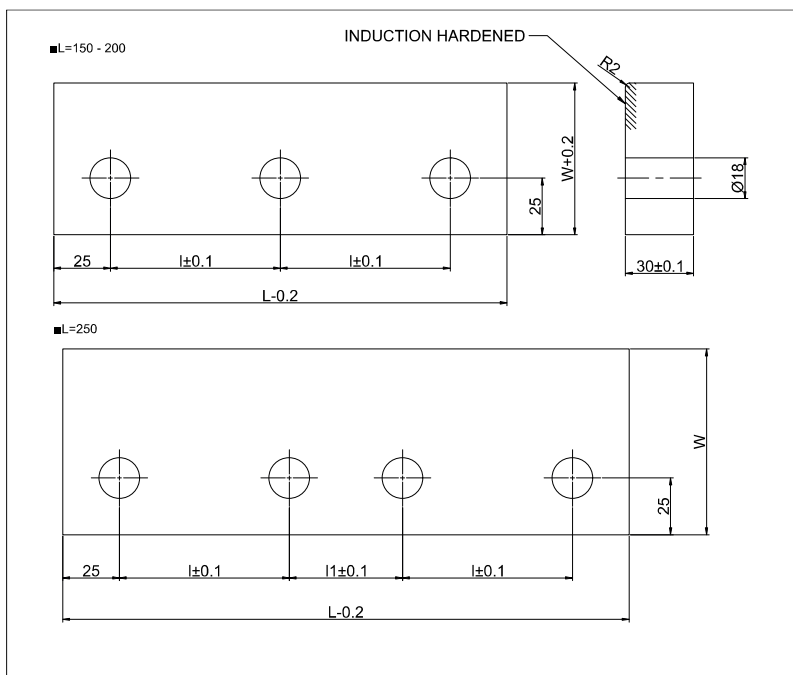


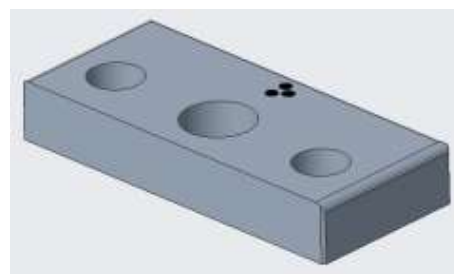
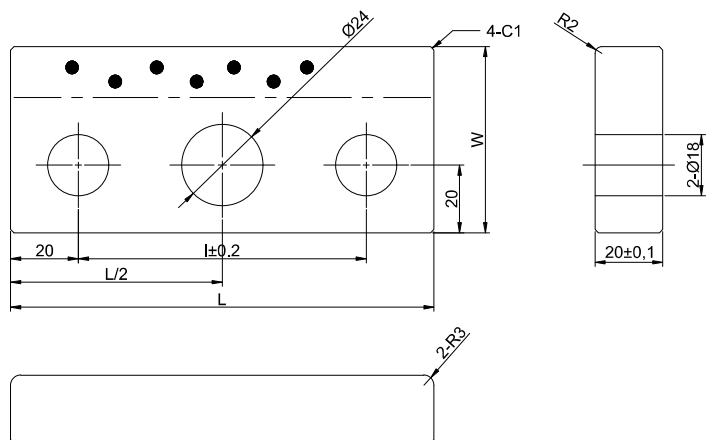
▶ UPPER PLATE (PCU-CA43)-S



Material : EN8
 Hardness : 55HRC~ (Induction hardened)
 Order Type : PCU-CA43-W-L
 Example : PCU-CA43-67-150

I	l1	Catalog No.	W	L
50	-	PCU-CA43	67	150
75	-			200
	50			250
50	-		82	150
75	-			200
	50			250

▶ UPPER PLATE (PCU-CA44)



I	Catalog No.	(W)	L
60	PCU-CA44	55	100
85			125
110			150

Material : 545C
 Hardness : 28-32 HRC
 Order Type : PCU-CA44-W-L
 Example : PCU-CA44-55-125